



AMBIANCE CONVENIENCE ENERGY EFFICIENCY

Do more with lighting, spend less on energy.

There's a whole world of control between on and off. Now, you can rely on WattStopper dimmers and fan speed controls to access this world of control possibilities, maximizing energy savings while achieving ambiance and convenience.

IN THIS SECTION:

Product Line Introduction	F1-F5
Product Matrix	F6
Architectural Dimmers	F7-F20
Touch Dimmers	F21-F30
Slide Dimmers	F31-F40
Paddle Dimmers	F41-F54



WALL BOX DIMMERS & DIMMING SENSORS



EXTENDING THE BENEFITS OF LIGHTING CONTROL BETWEEN ON AND OFF

Supplement automatic on/off lighting control with easily adjustable multi-level control for enhanced energy efficiency. Establish the perfect light level for presentations. Transform a sunny cafe appropriate for the lunch crowd into a romantic dining environment with the touch of a button.

Extend energy efficient control throughout the day. After all, it's no secret that dimming saves electricity regardless of the type of load controlled. Most electronic ballasts offer energy savings approximately proportional to the reduction in light output.* Energy savings from dimming incandescent lamps are almost as high, and dimming can extend incandescent lamp life up to 20 times.

And the rapid adoption of highly dimmable LEDs means dimming capabilities are often a must.

Increase energy savings

Dimmers save energy even at minimal dimming levels.

Reduce lighting costs

Dimming increases lamp life which reduces replacement, labor and maintenance costs.

Comply with multi-level energy code requirements

Emerging code provisions require multi-level control in many space types.

Enhance productivity

Individual controls allow occupants to adjust lighting in work spaces.

Foster sustainable practices

Reducing lamp replacement along with energy consumption extends resources and harmonizes with sustainable building practices.

Provide ambiance

Adjustable lighting levels create comfort, tranquility and beautiful, inviting spaces.

* See graph on facing page



SAVINGS FROM DIMMING LIGHTING

Dimming the fixture by:	10%	25%	50%	75%
Extends incandescent lamp life	2 times	4 times	20 times	> 20 times
Saves electricity	10%	20%	40%	60%



BRING ENERGY SAVINGS TO COMMON APPLICATIONS



Conference Rooms

Spaces can range from large, lavishly decorated executive boardrooms to smaller, utilitarian spaces. Because many conference rooms feature a range of lighting sources and larger loads, a commercially-focused dimming solution is often the best approach.



Restaurants

Decorative lighting may be used in bar areas to highlight decor and create intimate cozy spaces. In dining areas accent lighting often illuminates each table. Service areas may require overhead or pendant lighting to facilitate preparation and food service. Controlling these different loads smoothly can be challenging.



Lobbies and Waiting Rooms

Ensure that lobbies and waiting areas remain warm and inviting while saving energy at the same time. As the day progresses, perhaps ambient light levels provide enough illumination so that electric light levels can be reduced. For special evening functions, such as receptions, organizers appreciate the ability to create ambiance. Dimming controls provide user-friendly adjustability to set the lighting to the ideal level for any activity.

PRODUCT MATRIX



WALL BOX DIMMERS & DIMMING SENSORS

	MODEL #	VOLTAGE		LOAD TYPE	LOAD RATING	SETTINGS		NEUTRAL REQUIRED	FEATURES		DERATING REQUIREMENTS*	
		120V	277V			PRE	S		MW	SP		
ARCHITECTURAL												
	AD-1103 P. F9-10	▲		Incandescent	40 - 1100W	●			●		1100W/1000W; 1000W/900W	
	AD-2003 P. F9-10	▲		Incandescent	40 - 2000W	●			●			
	ADMLV-703 P. F11-12	▲		Magnetic Low Voltage	40 - 700VA	●			●			
	ADMLV-1603 P. F11-12	▲		Magnetic Low Voltage	40 - 1600VA	●			●		1600VA/1600VA; 1600VA/1550VA	
	ADFM-8A P. F13-14	▲		Two-wire Fluorescent	0.33 - 8A	●			●		8A/8A; 7.7A/6.3A	
	ADFM-16A P. F13-14	▲		Two-wire Fluorescent	0.33 - 16A	●			●			
	ADFM277-10A P. F13-14		▲	Two-wire Fluorescent	0.33 - 10A	●			●			
	ADFE-16A P. F15-16	▲		Three-wire Fluorescent	0.33 - 16A	●		■	●			
	ADFE277-10A P. F15-16	▲		Three-wire Fluorescent	0.33 - 10A	●		■	●			
	ADF120277 P. F17-18		▲	0-10V Fluorescent	Do not exceed 60 ballasts		●			●		
	ADFC-6A P. F19-20	▲		Fan Motor	0.33 - 6A		●			●		
	TOUCH											
		TD-603 P. F23-24	▲		Incandescent	40 - 600W	●			●		500W/400W
		TDA-603 P. F25-26	▲		Universal	25 - 600W	●		■	●		500W when 5 or more devices are ganged together
TDFC-1A P. F27-28		▲		Fan Motor	0 - 1.5A	●		■	●			
TDR P. F29-30		▲		N/A	-	●			●			
SLIDE												
	SD-603 P. F33-34	▲		Incandescent	50 - 600W	●			●			
	SD-1003 P. F33-34	▲		Incandescent	50 - 1000W	●			●		900W/750W	
	SD2-300 P. F35-36	▲		Incandescent	25 - 300W (for each load)		●			●		
	SDMLV-603 P. F37-38	▲		Magnetic Low Voltage	25 - 600VA	●			●			
	SDFC-5A P. F39-40	▲		Fan Motor	0.33 - 5A	●			●			
PADDLE												
	HD-703 P. F43-44	▲		Incandescent	50-700W	●			●	●		
	HD-1103 P. F43-44	▲		Incandescent	50-1100W	●			●	●	2-gang: 1000W 3-gang: 800W	
	HDMLV-703 P. F45-46	▲		Magnetic Low Voltage	50-700VA		●		●	●	2-gang: no derating reqd 3-gang: 650VA	
	HDMLV-1103 P. F45-46	▲		Magnetic Low Voltage	50-1100VA	●			●	●	2-gang: 950VA 3-gang: 700VA	
	HDFM-8A P. F47-48	▲		Two-wire Fluorescent	0.3 - 5A	●			●	●	2-gang: no derating reqd 3-gang: 6.5A	
	HDCL-453 P. F49-50	▲		CFL, LED	10-450W	●			●	●		
	HDA-703 P. F51-52	▲		Universal	incan, ELV, halogen: 6-700W CFL/LED: 6-450W MLV: 500VA EFL: 5.5A	●			●	●	no derating reqd for forward phase applications	
	HDFC-1A P. F53-54	▲		Fan Motor	0-1.6A	●			●	●		

VOLTAGE LEGEND	
	120V, 60Hz
	277V, 60Hz

SETTINGS LEGEND	
	Pre-Preset
	S-Slide-to-off

FEATURES LEGEND	
	MW-Multi-way
	SP-Single-pole

*On units where derating is required, first number listed is for 2-gang installation, second number listed is for 3-gang installation.

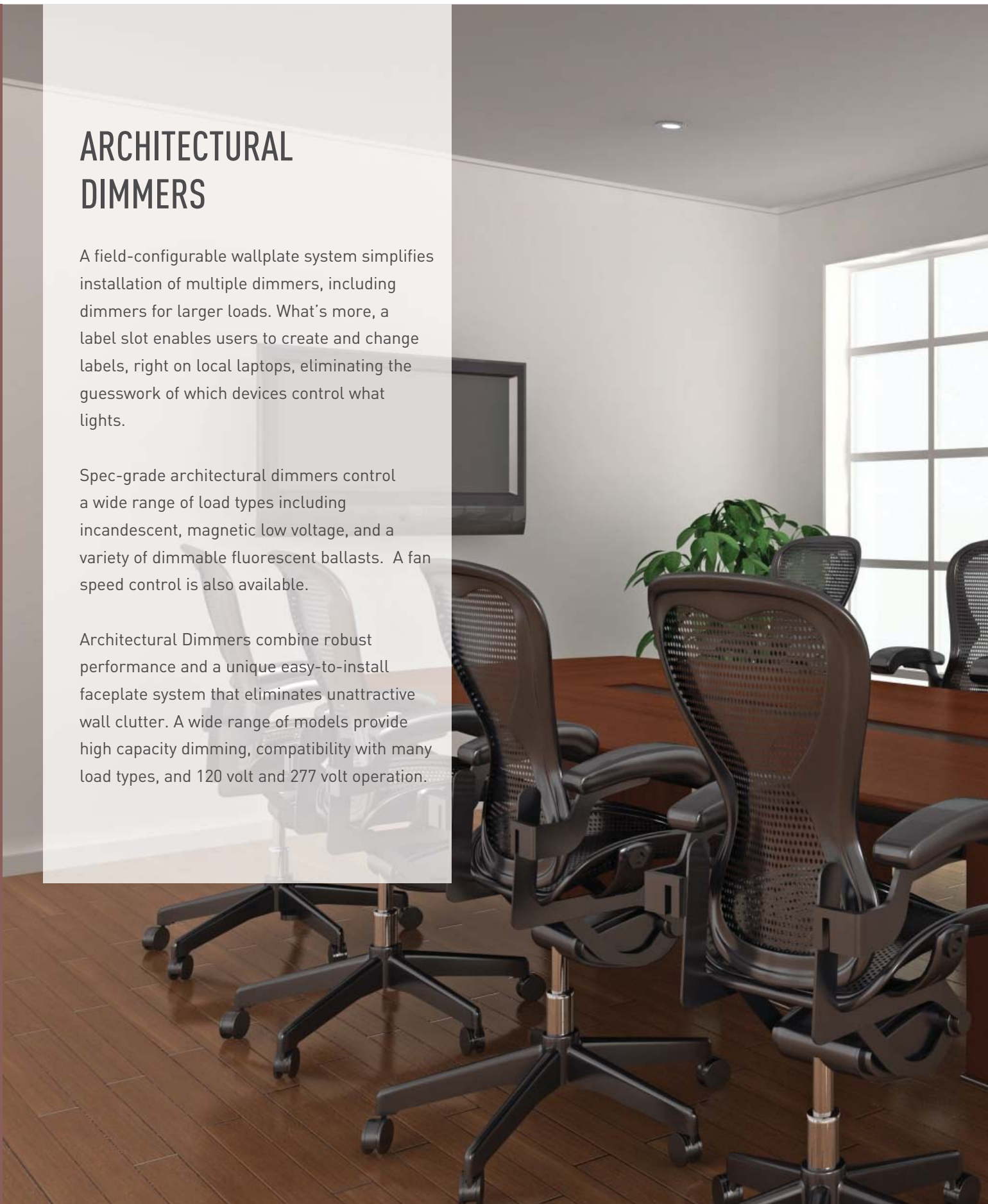


ARCHITECTURAL DIMMERS

A field-configurable wallplate system simplifies installation of multiple dimmers, including dimmers for larger loads. What's more, a label slot enables users to create and change labels, right on local laptops, eliminating the guesswork of which devices control what lights.

Spec-grade architectural dimmers control a wide range of load types including incandescent, magnetic low voltage, and a variety of dimmable fluorescent ballasts. A fan speed control is also available.

Architectural Dimmers combine robust performance and a unique easy-to-install faceplate system that eliminates unattractive wall clutter. A wide range of models provide high capacity dimming, compatibility with many load types, and 120 volt and 277 volt operation.





WALL BOX DIMMERS & DIMMING SENSORS





Incandescent Multi-way Architectural Dimmer (AD-1103, AD-2003)

High-capacity spec-grade dimmers for performance and energy savings

Adjust light output to ideal levels with slider

Adjustable high-end trim for added energy savings



For single-pole or multi-way applications; no neutral required

On/Off/Preset control

Easy personal labeling for identifying controlled lighting load

PROJECT
LOCATION/TYPE

Product Overview

Description

The AD-1103 and AD-2003 Incandescent Multi-way Architectural Dimmers provide easy preset dimming control via an on/off switch and a slider. Designed to replace a standard light switch or dimmer, the devices allow users to set the ideal light level for any activity taking place in the room. Each dimmer includes a wallplate with a slot for a user-supplied label behind a clear window.

Operation

The AD Incandescent Multi-way Dimmers control incandescent and halogen loads, and install into a standard single-gang or multi-gang wallbox. Once installed, the device is controlled by the slider and on/off switch. To dim the connected load, the user moves the slider down. To brighten the connected load, the user moves the slider up. Pressing the switch turns the connected load on or off. Lighting will come on to the preset level, determined by the slider position.

Multi-way Operation & High-end Trim

The AD-1103 and AD-2003 Incandescent Multi-way Dimmers can be used in three-way and multi-way circuits. In a three-way application, the installer connects a dimmer in one location and a three-way switch in the other location. This allows dimming and on/off control from the dimmer, and on/off control from the switch. In a multi-way installation, one or more four-way switches are installed between the dimmer and three-way switch. The AD-1103 and AD-2003 also include a high-end trim feature for added energy savings. If desired, the dimmer output can be adjusted down from 100% to as low as 90% using a trimpot located behind the wallplate.

Applications

The AD-1103 and AD-2003 Incandescent Multi-way Dimmers are ideal in commercial spaces where multiple activities occur. For example, providing dimming control in a conference room ensures that light levels can be adjusted for presentations or meetings. Users can customize lighting for any activity while simultaneously realizing energy savings.

Features

- Replaces standard single-pole or 3-way switch
- Operates incandescent and halogen loads
- Large switch turns connected load on or off
- Slider control for easy dimming or brightening
- Provides multi-way control when used with 3-way and 4-way switches
- No current leakage to load when switch is in off position for safety
- Choice of five decorator colors (White, Ivory, Light Almond, Grey and Black)
- Includes wallplate for single or multi-gang installation

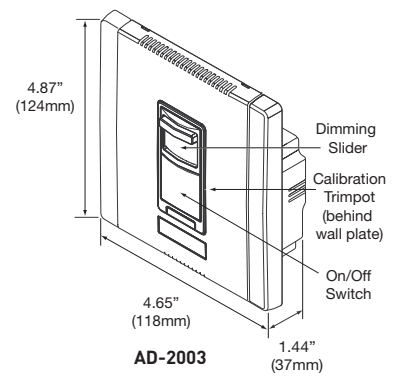
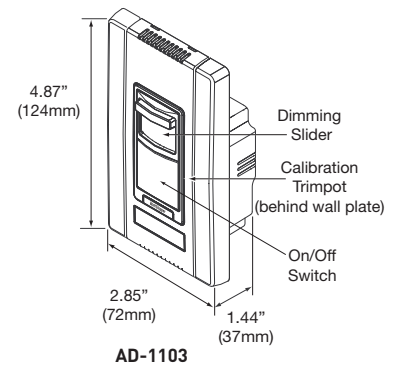


Specifications

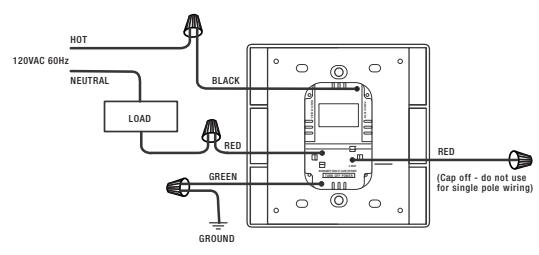
- 120 VAC; 60 Hz
- No neutral required
- Load ratings (incandescent):
 - AD-1103: 40-1100W, see derating chart
 - AD-2003: 40-2000W
- Filtered output for RFI suppression
- Includes voltage compensation circuitry for stabilized light output
- Use only one dimmer in a 3-way/multi-way circuit
- For indoor use only
- UL and cUL listed
- Five year warranty

Controls & Wiring

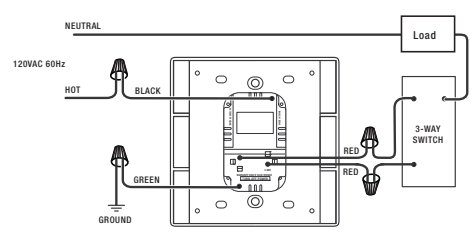
Product Controls



Single-pole Wiring



3-way/Multi-way Wiring



Multi-gang Derating Information

Dimmer Catalog #	Maximum Load	Fins are NOT removed		Fins ARE removed	
		2-gang	3-gang	2-gang	3-gang
AD-1103	1100W	1100W	1000W	1000W	900W
AD-2003	2000W	no derating required		fins cannot be removed	

Ordering Information

Catalog No.	Color	Description	Voltage	Load Rating
<input type="checkbox"/> AD-1103-W	White	Incandescent 1100W Multi-way Architectural Dimmer	120 VAC, 60 Hz	40-1100W
<input type="checkbox"/> AD-1103-I	Ivory			
<input type="checkbox"/> AD-1103-LA	Lt. Almond			
<input type="checkbox"/> AD-1103-G	Grey			
<input type="checkbox"/> AD-1103-B	Black			
<input type="checkbox"/> AD-2003-W	White	Incandescent 2000W Multi-way Architectural Dimmer	120 VAC, 60 Hz	40-2000W
<input type="checkbox"/> AD-2003-I	Ivory			
<input type="checkbox"/> AD-2003-LA	Lt. Almond			
<input type="checkbox"/> AD-2003-G	Grey			
<input type="checkbox"/> AD-2003-B	Black			



Magnetic Low Voltage Multi-way Architectural Dimmer (ADMLV-703, ADMLV-1603)

High-capacity spec-grade dimmers for performance and energy savings

Adjust light output to ideal levels with slider

Adjustable low-end trim



For single-pole or multi-way applications; no neutral required

On/Off/Preset control

Easy personal labeling for identifying controlled lighting load

PROJECT
LOCATION/TYPE

Product Overview

Description

The ADMLV-703 and ADMLV-1603 Magnetic Low Voltage Architectural Dimmers provide easy on/off and preset dimming control of magnetic low voltage lighting loads via a switch and a slider. Designed to replace a standard light switch or dimmer, the devices allow for ideal light levels regardless of the activity taking place in a room. Each dimmer includes a wallplate with a slot for a user-supplied label behind a clear window.

Operation

The ADMLV-703 and ADMLV-1603 are designed to dim permanently installed magnetic low voltage loads, and are not intended for use to control receptacles, fluorescent lights or motorized appliances. With ADMLV dimmers, users can brighten and dim the connected lights by moving the slider up and down. To lower lighting levels, users move the slider down. To raise lighting levels, users move the slider up. To turn lights on or off, users press the switch. Lighting will come on to the preset level, determined by the slider position.

Multi-way Operation & Low-end Trim

The ADMLV-703 and ADMLV-1603 can be used in both single-pole and multi-way applications. In a three-way application, an ADMLV dimmer is installed in one location and a three-way switch in the other location. This provides the user with on/off and dimming control from the dimmer and on/off control from the switch. In a multi-way installation, one or more four-way switches are installed between the dimmer and three-way switch. The dimmers also allow the low-end trim to be set to accommodate different magnetic transformers. Users simply remove the wallplate and adjust the calibration dial.

Applications

The ADMLV-703 and ADMLV-1603 can be used to save energy and reduce utility costs in a wide range of applications where magnetic low voltage lighting loads are common, such as accent lighting.

Features

- Replaces standard single-pole or 3-way switch
- Operates magnetic low voltage loads
- Large switch turns connected load on or off
- Slider control for easy dimming or brightening
- Provides multi-way control when used with 3-way and 4-way switches
- No current leakage to load when switch is in off position for safety
- Choice of five decorator colors (White, Ivory, Light Almond, Grey and Black)
- Includes wallplate for single or multi-gang installation

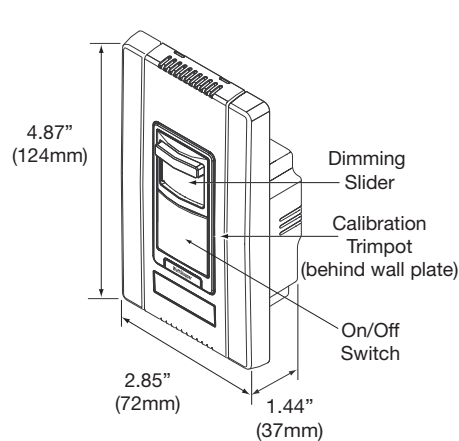


Specifications

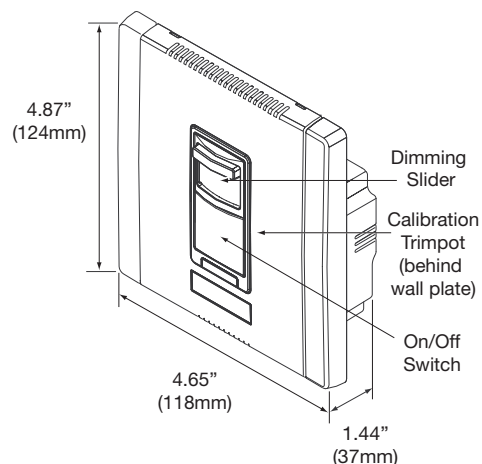
- 120 VAC; 60 Hz
- No neutral required
- Load ratings (magnetic low voltage):
 - ADMLV-703: 40-700VA
 - ADMLV-1603: 40-1600VA, see derating chart
- Filtered output for RFI suppression
- Includes voltage compensation circuitry for stabilized light output
- Use only one dimmer in a 3-way/multi-way circuit
- For indoor use only
- UL and cUL listed
- Five year warranty

Controls & Wiring

Product Controls

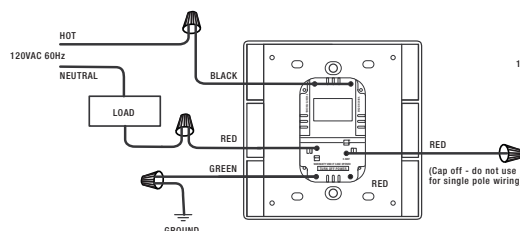


ADMLV-703

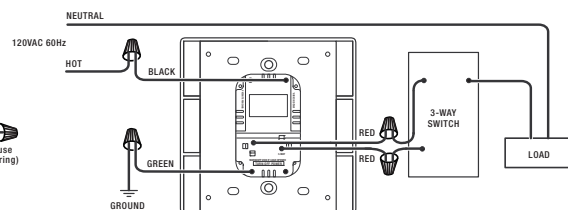


ADMLV-1603

Single-pole Wiring



3-way/Multi-way Wiring



Multi-gang Derating Information

Dimmer Catalog #	Maximum Load	Fins are NOT removed		Fins ARE removed	
		2-gang	3-gang	2-gang	3-gang
ADMLV-703	700VA	no derating required			
ADMLV-1603	1600VA	1600VA	1600VA	1600VA	1550VA

Ordering Information

Catalog No.	Color	Description	Voltage	Load Rating
<input type="checkbox"/> ADMLV-703-W	White	Magnetic Low Voltage 700VA Multi-way Architectural Dimmer	120 VAC, 60 Hz	40-700VA
<input type="checkbox"/> ADMLV-703-I	Ivory			
<input type="checkbox"/> ADMLV-703-LA	Lt. Almond			
<input type="checkbox"/> ADMLV-703-G	Grey			
<input type="checkbox"/> ADMLV-703-B	Black			
<input type="checkbox"/> ADMLV-1603-W	White	Magnetic Low Voltage 1600VA Multi-way Architectural Dimmer	120 VAC, 60 Hz	40-1600VA
<input type="checkbox"/> ADMLV-1603-I	Ivory			
<input type="checkbox"/> ADMLV-1603-LA	Lt. Almond			
<input type="checkbox"/> ADMLV-1603-G	Grey			
<input type="checkbox"/> ADMLV-1603-B	Black			



Two-wire Fluorescent Multi-way Architectural Dimmer (ADFM-8A, ADFM-16A, ADFM277-10A)

High-capacity spec-grade dimmers for performance and energy savings

Adjust light output to ideal levels with slider

Adjustable low-end trim



For single-pole or multi-way applications; no neutral required

On/Off/Preset control

Ideal for commercial applications; matching 120 and 277V models

PROJECT
LOCATION/TYPE

Product Overview

Description

The ADFM-8A, ADFM-16A and ADFM277-10A Two-Wire Fluorescent Architectural Dimmers provide easy on/off and preset dimming control of two-wire dimmable fluorescent lighting loads via an on/off switch and a slider. Designed to replace a standard light switch or dimmer, they allow for ideal light levels regardless of the activity taking place in a room.

Operation

With the ADFM dimmers, users can brighten and dim the connected lights by moving the slider up and down. Users reduce lighting levels by moving the slider down, or increase brightness by moving the slider up. To turn lighting on or off, users simply press the switch. Lighting will come on to the preset level, determined by the slider position.

Multi-way Operation & Low-end Trim

The ADFM dimmers can be used in both single-pole and multi-way applications. In a three-way application, a dimmer is installed in one location and a three-way switch in the other location. The user enjoys on/off and dimming control from the dimmer and on/off control from the switch. In a multi-way installation, one or more four-way switches are installed between the dimmer and three-way switch. The dimmers also allow the low-end trim to be set to accommodate different ballasts. Users simply remove the wallplate and adjust the calibration dial.

Applications

The ADFM dimmers can be used to save energy and reduce utility costs in applications where fluorescent lighting loads are common, such as private offices and conference rooms.

Features

- Replaces standard single-pole or 3-way switch
- Operates specific fluorescent loads
- Large switch turns connected load on or off
- Slider control for easy dimming or brightening
- Provides multi-way control when used with 3-way and 4-way switches
- Smooth and continuous dimming
- No current leakage to load when switch is in off position for safety
- Choice of five decorator colors (White, Ivory, Light Almond, Grey and Black)
- Includes wallplate for single or multi-gang installation

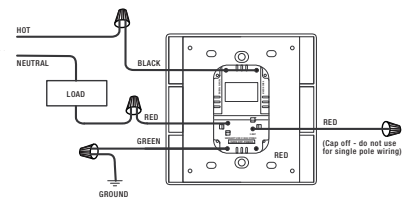


Specifications

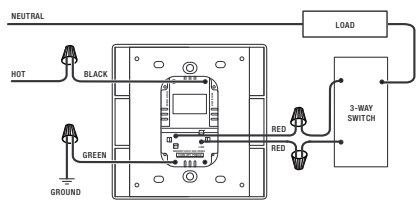
- ADFM-8A and ADFM-16A: 120 VAC; 60 Hz
- ADFM277-10A: 277 VAC; 60 Hz
- No neutral required
- Load ratings (compatible fluorescent loads only):
 - ADFM-8A: 0.3-8A, see derating chart
 - ADFM-16A: 0.3-16A
 - ADFM277-10A: 0.3-10A
- Filtered output for RFI suppression
- Includes voltage compensation circuitry for stabilized light output
- Use only one dimmer in a 3-way/multi-way circuit
- For indoor use only
- UL and cUL listed
- Five year warranty

Controls & Wiring

Wiring Diagrams

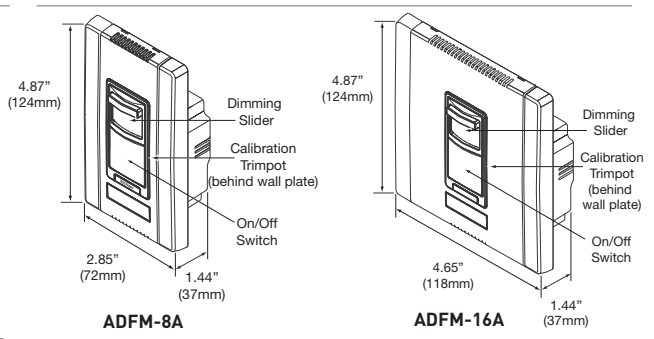


Single-pole Wiring



3-way/Multi-way Wiring

Product Controls



ADFM-8A

ADFM-16A
ADFM277-10A

Multi-gang Derating Information

Dimmer Catalog #	Maximum Load	Fins are NOT removed		Fins ARE removed	
		2-gang	3-gang	2-gang	3-gang
ADFM-8A	8A	8A	8A	7.7A	6.3A
ADFM-16A	16A	no derating required			
ADFM277-10A	10A	no derating required			

Compatible Ballasts

Advance: Mark 10® and Ambistar
ADFM-8A & ADFM-16A: REZ-132-SC, REZ-2532-SC, REZ-3532-SC, REZ-154, REZ-2554, REZ-1Q18-M2, REZ-2Q18-M2, REZ-1T42-M2, REZ-2T42-M3, REZ-1TTS40, REZ-1TTS40-SC, REZ-2TTS40, REZ-2TTS40-SC, REB-2S26-M1-LS-DIM, REB-2S26-M1-BS-DIM
ADFM277-10A: VEZ-132-SC, VEZ-2532-SC, VEZ-3532-SC, VEZ-154, VEZ-2554, VEZ-1Q18-M2, VEZ-2Q18-M2, VEZ-1T42-M2, VEZ-2T42-M3, VEZ-1TTS40, VEZ-1TTS40-SC, VEZ-2TTS40, VEZ-2TTS40-SC
All Models: IEZ-2S24-D
Lutron: Tu-Wire®
ADFM-8A & ADFM-16A: 2W-T426-120-1-S, 2W-T426-120-2-S, 2W-T432-120-1-S, 2W-T432-120-2-S, 2W-T832-120-1-S, 2W-T832-120-2-S
Sylvania: Quicktronic® Powersense™
All Models: QTP1x32T8/UNV DIM, QTP2x32T8/UNV DIM, QTP3x32T8/UNV DIM, QTP4x32T8/UNV DIM

Ordering Information

Catalog No.	Color	Description	Voltage	Load Rating
<input type="checkbox"/> ADFM-8A-W	White	Two-Wire Fluorescent 8A Multi-way Architectural Dimmer	120 VAC, 60 Hz	0.3-8A
<input type="checkbox"/> ADFM-8A-I	Ivory			
<input type="checkbox"/> ADFM-8A-LA	Lt. Almond			
<input type="checkbox"/> ADFM-8A-G	Grey			
<input type="checkbox"/> ADFM-8A-B	Black			
<input type="checkbox"/> ADFM-16A-W	White	Two-Wire Fluorescent 16A Multi-way Architectural Dimmer	120 VAC, 60 Hz	0.3-16A
<input type="checkbox"/> ADFM-16A-I	Ivory			
<input type="checkbox"/> ADFM-16A-LA	Lt. Almond			
<input type="checkbox"/> ADFM-16A-G	Grey			
<input type="checkbox"/> ADFM-16A-B	Black			
<input type="checkbox"/> ADFM277-10A-W	White	Two-Wire Fluorescent 10A Multi-way Architectural Dimmer	277 VAC, 60Hz	0.3-10A
<input type="checkbox"/> ADFM277-10A-I	Ivory			
<input type="checkbox"/> ADFM277-10A-LA	Light Almond			
<input type="checkbox"/> ADFM277-10A-G	Grey			
<input type="checkbox"/> ADFM277-10A-B	Black			



Three-wire Multi-way Fluorescent Architectural Dimmer (ADFE-16A, ADFE277-10A)

High-capacity spec-grade dimmers for performance and energy savings

Adjust light output to ideal levels with slider

Adjustable low-end trim



For single-pole or multi-way applications

On/Off/Preset control

Ideal for commercial applications; matching 120 and 277V models

PROJECT
LOCATION/TYPE

Product Overview

Description

The ADFE-16A and ADFE277-10A Three-Wire Fluorescent Architectural Dimmers are designed to replace standard light switches or dimmers. The devices provide easy on/off and preset dimming control of fluorescent lighting loads via the on/off buttons and sliders. Each device allows for ideal light levels regardless of the activity taking place in a room.

Operation

With ADFE Fluorescent Dimmers, users can brighten and dim the connected lights by moving the slider up and down. Users reduce lighting levels by moving the slider down, or increase brightness by moving the slider up. To turn lighting on or off, users press the on/off switch. Lighting will come on to the preset level, determined by the slider position.

Multi-way Operation & Low-end Trim

The ADFE dimmers can be used in both single-pole and multi-way applications. In a three-way application, a dimmer is installed in one location and a three-way switch in the other location. This provides the user with on/off and dimming control from the dimmer and on/off control from the switch. In a multi-way installation, one or more four-way switches are installed between the dimmer and three-way switch. The dimmers are factory trimmed for operation with the compatible ballasts, but the low-end trim may be adjusted if desired.

Applications

The ADFE dimmers can be used to save energy and reduce utility costs in applications where fluorescent lighting loads are common, such as private offices and conference rooms.

Features

- Replaces standard single-pole or 3-way switch
- Operates specific fluorescent loads
- Large switch turns connected load on or off
- Slider control for easy dimming or brightening
- Provides multi-way control when used with 3-way and 4-way switches
- Smooth and continuous dimming
- No current leakage to load when switch is in off position for safety
- Choice of five decorator colors (White, Ivory, Light Almond, Grey and Black)
- Includes wallplate for single or multi-gang installation

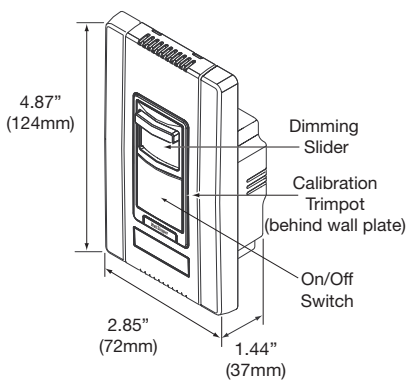


Specifications

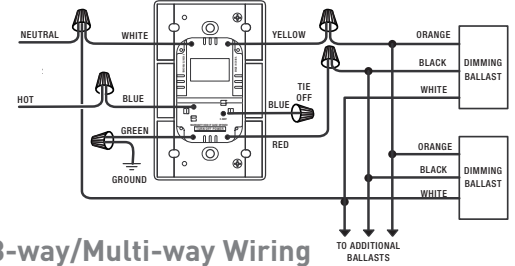
- ADFE-16A: 120 VAC; 60 Hz
- ADFE277-10A: 277VAC; 60 Hz
- Load ratings (compatible fluorescent loads only):
 - ADFE-16A: 0.3-16A; no derating required for multi-gang installations
 - ADFE277-10A: 0.3-10A; no derating required for multi-gang installations
- Filtered output for RFI suppression
- Includes voltage compensation circuitry for stabilized light output
- Use only one dimmer in a 3-way/multi-way circuit
- For indoor use only
- UL and cUL listed
- Five year warranty

Controls & Wiring

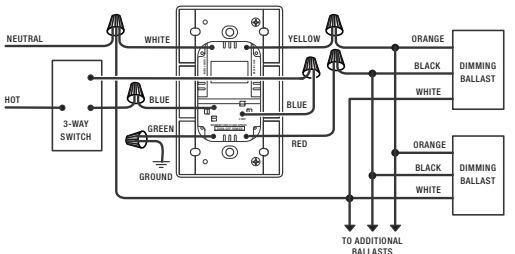
Product Controls



Single-pole Wiring



3-way/Multi-way Wiring



Compatible Ballasts

Lutron: 1% - Hi-Lume, Hi-Lume 3D	Lutron: 5% - Compact SE	Lutron: 10% - Eco-10
ADFE-16A: HL3-T426-120-1-S, HL3-T432-1201-S, FDB-T524-120-1, FDB-T524-120-2, FDB-T539-120-1, FDB-T539-120-2, FDB-T554-120-1, FDB-T554-120-2, FDB-2427-120-1, FDB-2427-120-2, FDB-2427-120-3, FDB-3627-120-1, FDB-3627-120-2, FDB-3627-120-3, FDB-4827-120-1, FDB-4827-120-2, FDB-4827-120-3, FDB-6027-120-1, FDB-6027-120-2, FDB-7280-120-1, FDB-8480-120-1, FDB-9680-120-1 ADFE277-10A: HL3-T426-277-1-S, HL3-T432-277-1-S, FDB-T524-277-1, FDB-T524-277-2, FDB-T539-277-1, FDB-T539-277-2, FDB-T554-277-1, FDB-T554-277-2, FDB-2427-277-1, FDB-2427-277-2, FDB-2427-277-3, FDB-3627-277-1, FDB-3627-277-2, FDB-3627-277-3, FDB-4827-277-1, FDB-4827-277-2, FDB-4827-277-3, FDB-6027-277-1, FDB-6027-277-2 Both Models: H3DT832CUNV110, H3DT832CUNV117, H3DT832CUNV210, H3DT832CUNV217	ADFE-16A: FDB-T418-120-1-S, FDB-T418-120-2-S, FDB-T426-120-1-S, FDB-T426-120-2-S, FDB-T432-120-1-S, FDB-T432-120-2-S, FDB-T442-120-1-S, FDB-T442-120-2-S, FDB-1643-120-1, FDB-1643-120-2, FDB-1643-120-3, FDB-1227-120-1, FDB-2227-120-2, FDB-2227-120-3, FDB-2243-120-3, FDB-2243-120-2 ADFE277-10A: FDB-T418-277-1-S, FDB-T418-277-2-S, FDB-T426-277-1-S, FDB-T426-277-2-S, FDB-T432-277-1-S, FDB-T432-277-2-S, FDB-T442-277-1-S, FDB-T442-277-2-S, FDB-1643-277-1, FDB-1643-277-2, FDB-1643-277-3, FDB-2227-277-1, FDB-2227-277-2, FDB-2227-277-3, FDB-2243-277-3, FDB-2243-277-2	ADFE-16A: E3-T514C-120-1, E3-T514C-120-2, E3-T521C-120-1, E3-T521C-120-2, ECO-T528-120-1, ECO-T528-120-2, ECO-T524-120-1, ECO-T524-120-2, ECO-T5H39-120-1, ECO-T5H39-120-2, ECO-T554-120-1, ECO-T554-120-2, ECO-T539-120-1, ECO-T539-120-2, ECO-T539-120-3, ECO-T540-120-1, ECO-T540-120-2, ECO-T540-120-3, ECO-T550-120-1, ECO-T550-120-2, ECO-T817-120-1, ECO-T817-120-2, ECO-T817-120-3, ECO-T825-120-1, ECO-T825-120-2, ECO-T832-120-1-L, ECO-T832-120-1-T, ECO-T832-120-2-L, ECO-T832-120-2-T, ECO-T832-120-3 ADFE277-10A: E3-T514C-277-1, E3-T514C-277-2, E3-T521C-277-1, E3-T521C-277-2, ECO-T528-277-1, ECO-T528-277-2, ECO-T524-277-1, ECO-T524-277-2, ECO-T5H39-277-1, ECO-T5H39-277-2, ECO-T554-277-1, ECO-T554-277-2, ECO-T539-277-1, ECO-T539-277-2, ECO-T539-277-3, ECO-T540-277-1, ECO-T540-277-2, ECO-T540-277-3, ECO-T550-277-1, ECO-T550-277-2, ECO-T817-277-1, ECO-T817-277-2, ECO-T817-277-3, ECO-T825-277-1, ECO-T825-277-2, E3-T832C-277-1, ECO-T832-277-1-L, ECO-T832-277-1-T, ECO-T832-277-1, E3-T832C-277-2, ECO-T832-277-2-L, ECO-T832-277-2-T, ECO-T832-277-2, ECO-T832-277-3

Ordering Information

Catalog No.	Color	Description	Voltage	Load Rating
<input type="checkbox"/> ADFE-16A-W	White	Three-Wire Fluorescent 16A Multi-way Architectural Dimmer	120 VAC, 60 Hz	0.3-16A
<input type="checkbox"/> ADFE-16A-I	Ivory			
<input type="checkbox"/> ADFE-16A-LA	Lt. Almond			
<input type="checkbox"/> ADFE-16A-G	Grey			
<input type="checkbox"/> ADFE-16A-B	Black			
<input type="checkbox"/> ADFE277-10A-W	White	Three-Wire Fluorescent 10A Multi-way Architectural Dimmer	277 VAC, 60 Hz	0.3-10A
<input type="checkbox"/> ADFE277-10A-I	Ivory			
<input type="checkbox"/> ADFE277-10A-LA	Lt. Almond			
<input type="checkbox"/> ADFE277-10A-G	Grey			
<input type="checkbox"/> ADFE277-10A-B	Black			



0-10V Fluorescent Architectural Dimmer (ADF-120277)

Dim lighting for increased energy savings

Adjust light output to ideal levels with slider

Control 0-10V fluorescent loads



Adjustable low-end trim

On/Off/Preset control

Easy personal labeling for identifying controlled lighting load

PROJECT
LOCATION/TYPE

Product Overview

Description

The ADF-120277 0-10V Fluorescent Architectural Dimmer provides dimming control of 0-10 volt fluorescent lighting loads via a slider, and slide-to-off operation when used with a WattStopper BZ-50 Power Pack (or equivalent). It also operates selected LED loads (contact the manufacturer to determine compatibility). The ADF-120277 allows for ideal light levels regardless of the activity taking place in a room. Operation is smooth and continuous.

Operation

With 0-10V Fluorescent Dimmers, users can brighten and dim the connected lights by moving the slider up and down. If the device is connected to a power pack, users can turn lighting off by moving the slider all the way down to the off position.

Low-end Trim

The ADF-120277 0-10V Fluorescent Architectural Dimmer includes an adjustable low-end trim to accommodate different ballasts. Users simply remove the wallplate and adjust the calibration dial as needed.

Applications

The ADF-120277 can be used to save energy and reduce utility costs in applications where fluorescent lighting loads are common, such as private offices and conference rooms.

Features

- Replaces single-pole switch
- Operates specific fluorescent loads
- Slider control for easy dimming or brightening
- Slider turns connected load on or off (when used with WattStopper BZ-50 Power Pack, or equivalent)
- Smooth and continuous dimming
- No current leakage to load when switch is in off position for safety
- Choice of five decorator colors (White, Ivory, Light Almond, Grey and Black)
- Includes wallplate for single or multi-gang installation

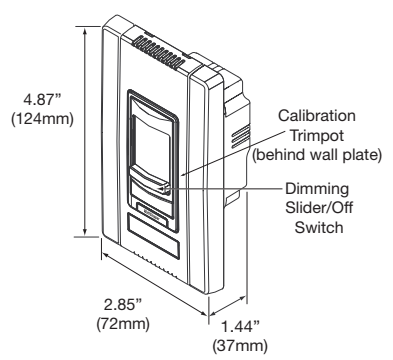


Specifications

- 24 VDC
- On/off switching: Use WattStopper Power Pack Model BZ-50 or equivalent
- Load rating (compatible fluorescent loads only): Maximum capacity: 60 ballasts
- For indoor use only
- UL and cUL listed
- Five year warranty

Controls & Wiring

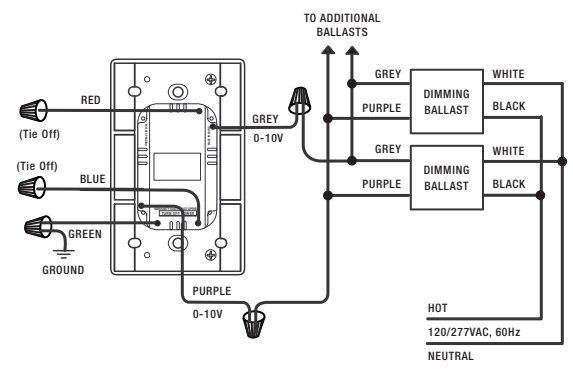
Product Controls



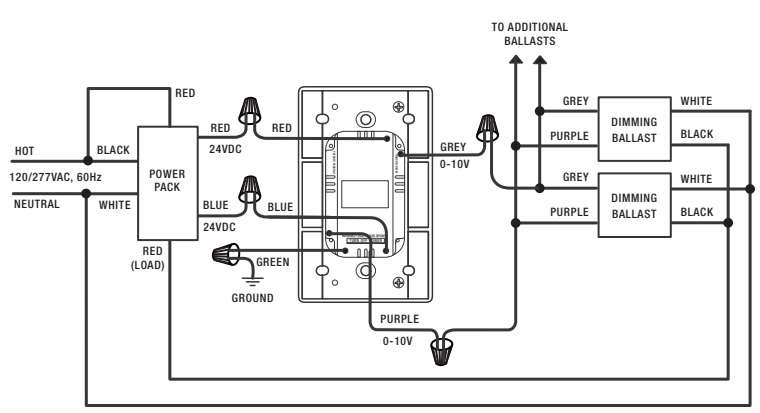
Compatible Ballasts

Manufacturer	Models	Series
Advance	Mark 7®, Xitanium	IZT, RZT, VZT, LED120
GE	T8 Dimming Ballasts	B132, B232, B332
Lutron	Eco-10	TVE
Sylvania	Quicktronic® Powersense™, Helios, Optronic	QTP, QT, OT
Universal	SuperDim, Ballastar	ES, B132, B232, B332, B432

Wiring for Dimming Control Only



Wiring for On/Off and Dimming Control



Ordering Information

Catalog No.	Color	Description	Voltage	Load Rating
<input type="checkbox"/> ADF-120277-W	White	0-10V Fluorescent Architectural Dimmer	24 VDC	Max. of 60 ballasts
<input type="checkbox"/> ADF-120277-I	Ivory			
<input type="checkbox"/> ADF-120277-LA	Lt. Almond			
<input type="checkbox"/> ADF-120277-G	Grey			
<input type="checkbox"/> ADF-120277-B	Black			



Architectural Fan Speed Control (ADFC-6A)

Adjust fan speed easily with slider control

Slide-to-off control

No derating required for multi-gang operation



Multiple fans can be controlled by a single unit

Available in five decorator colors

Maintain ideal fan speed

PROJECT
LOCATION/TYPE

Product Overview

Description

The ADFC-6A Architectural Fan Speed Control replaces a standard fan switch with an architecturally pleasing simple slider. It allows users to set and maintain the ideal fan speed in any space, and is designed to control only ceiling paddle fans.

Operation

The ADFC-6A Architectural Fan Speed Control can easily be installed in any single-or multi-gang wallbox, and replaces a standard fan speed control switch. Users reduce fan speed by moving the slider down, or increase fan speed by moving the slider up. To turn the fan off, users simply move the slider all the way down.

Multiple Fan Control

High capacity ADFC-6A Architectural Fan Speed Controls are ideal for controlling one or more fans. Sometimes, large rooms such as banquet facilities, restaurants, hotel lobbies and enclosed patios use multiple fans. In these cases, controlling multiple fans with one device can effectively ensure even airflow throughout the space. The installer must verify that the combined fan load does not exceed the maximum load rating of the device.

Applications

ADFC-6A Architectural Fan Speed Controls are ideal in either commercial or residential spaces. In any location, users can easily adjust the device to set and maintain the desired fan speed.

Features

- Replaces a standard fan switch (solid-state fan speed controls only)
- One device controls multiple fans
- Provides slide control to easily obtain ideal fan speed settings
- No derating needed
- No current leakage to load when switch is in off position for safety
- Choice of five decorator colors (White, Ivory, Light Almond, Grey and Black)
- Includes wallplate for single or multi-gang installation

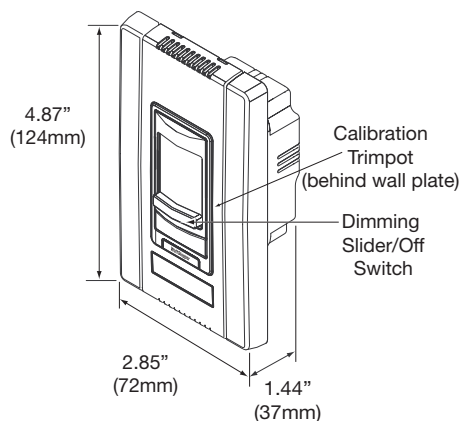


Specifications

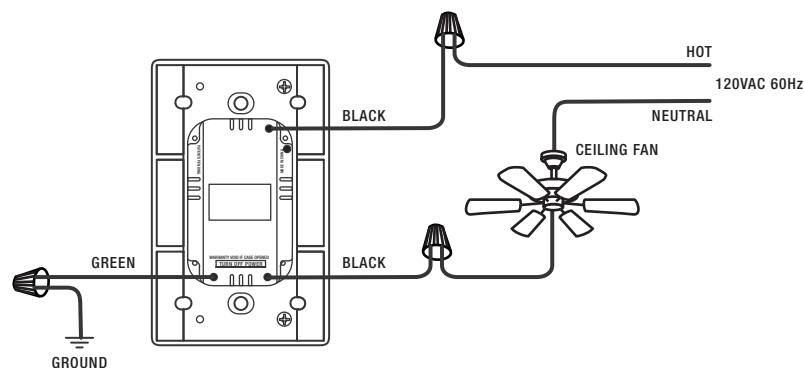
- 120 VAC; 60 Hz
- No neutral required
- Load Rating: 0.3-6A
- Use only with fans marked suitable for use with solid state fan speed controls
- No derating required for multi-gang installations
- For indoor use only
- UL and cUL listed
- Five year warranty

Controls & Wiring

Product Controls



Wiring Diagram



Ordering Information

Catalog No.	Color	Description	Voltage	Load Rating
<input type="checkbox"/> ADFC-6A-W	White	Architectural Fan Speed Control	120 VAC, 60 Hz	0.3-6A
<input type="checkbox"/> ADFC-6A-I	Ivory			
<input type="checkbox"/> ADFC-6A-LA	Lt. Almond			
<input type="checkbox"/> ADFC-6A-G	Grey			
<input type="checkbox"/> ADFC-6A-B	Black			



TOUCH DIMMERS

Elegance and advanced engineering combine in these dimmers. Select universal dimmers to control incandescent, magnetic low voltage, electronic low voltage, LED, and fluorescent fixtures. Paired with Touch Remotes, these devices provide steady fade rates and full-featured dimming control, even from multiple locations. Fan speed controls are also available, as well as a palette of six decorator colors.





WALL BOX DIMMERS & DIMMING SENSORS

Incandescent Multi-way Touch Dimmer (TD-603)

Smooth On/Off and Preset control for elegant energy savings

LED bar graph shows preset level and light level

No neutral connection required; controls incandescent loads



Works with Touch Remote for full-function control from multiple locations

Two-second fade rate

Recalls last-used lighting level (preset)

PROJECT

LOCATION/TYPE

Product Overview

Description

The TD-603 Incandescent Multi-way Touch Dimmer provides smooth dimming control of incandescent and quartz halogen lighting loads via a rocker paddle. An LED bar graph displays the preset level when the dimmer is off, and the current lighting level when the dimmer is on. The TD-603 features low-profile decorator styling.

Operation

The TD Incandescent Multi-way Dimmer installs into a single-gang or multi-way wallbox and can replace a standard switch. Once installed, the device is controlled by the user via the paddle. To dim the connected load, the user presses and holds the bottom of the paddle. To brighten the connected load, the user presses and holds the top of the paddle. Tapping once on the top of the paddle recalls the last lighting level. Giving two taps brings lighting to full output. Tapping once on the bottom of the paddle fades lighting to off. All level changes are smoothly executed using a two-second fade rate.

Features

- Replaces standard single-pole or multi-way switches
- Operates incandescent and halogen loads
- Provides multi-way control when used with one or more Touch Remote (TDR)
- Low-profile styling
- Square law dimming curve
- Patented overload and short-circuit protection

Full-function Multilocation Control

The TD-603 Incandescent Multi-way Touch Dimmer can be used in both single-pole and multilocation applications. In multilocation applications, a TD-603 is installed in one location and the Touch Remote (TDR) is installed in the other locations. This provides the user with full-function dimming control from all connected control locations. The TD-603 cannot be used with three-way and four-way switches.

Applications

The TD-603 Incandescent Multi-way Touch Dimmer is ideal in commercial or residential spaces where multiple activities occur. It is recommended for retrofit applications where no neutral wire is available in the switch box.

- Soft start technology significantly extends lamp life by limiting inrush current
- Long life status LED
- Power failure restore to last-used level
- Air-gap switch ensures safe relamping
- Choice of six decorator colors (NEMA White, NEMA Ivory, Almond, Light Almond, Grey and NEMA Black)
- Compatible with decorator wallplates



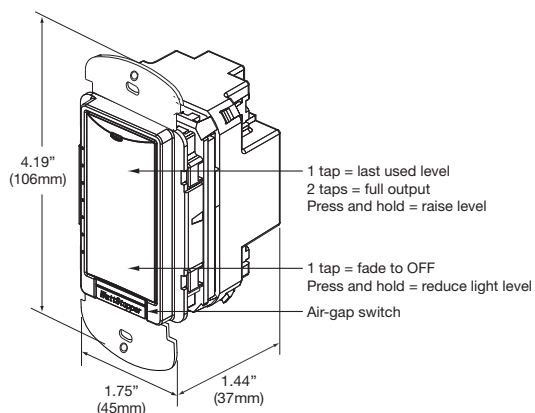


Specifications

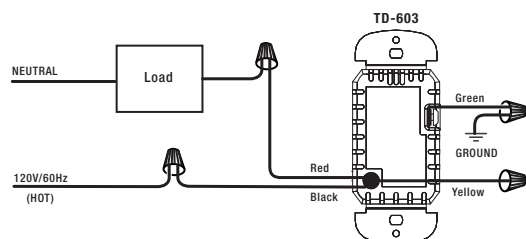
- 120VAC; 60Hz
- No neutral required
- Load rating (incandescent): 40-600W, see derating chart
- Filtered output for RFI suppression
- Use only one dimmer in a multilocation application
- For indoor use only
- UL and cUL listed
- Five year warranty

Controls & Wiring

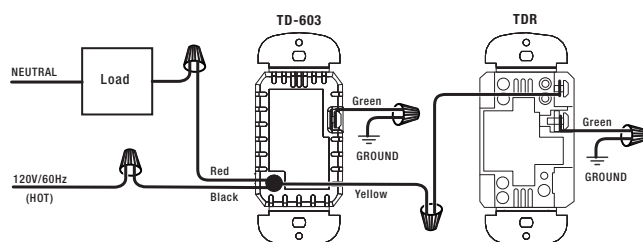
Product Controls



Single-pole Wiring



Multilocation Wiring



Derating Information

Dimmer Catalog #	Maximum load, single-gang	Dimmer at end of multi-gang	Dimmer in middle of multi-gang
TD-603	600W	500W	400W

Ordering Information

Catalog No.	Color	Description	Voltage	Load Rating
<input type="checkbox"/> TD-603-W	White	Incandescent 600W Multi-way Touch Dimmer	120VAC, 60Hz	40-600W
<input type="checkbox"/> TD-603-I	Ivory			
<input type="checkbox"/> TD-603-A	Almond			
<input type="checkbox"/> TD-603-LA	Lt. Almond			
<input type="checkbox"/> TD-603-G	Grey			
<input type="checkbox"/> TD-603-B	Black			

Contact factory for availability.
Order wallplates separately.

Universal Multi-way Touch Dimmer (TDA-603)

Controls most load types; second dimming curve for fluorescent loads

LED bar graph shows preset level and light level

Smooth On/Off and Preset control for elegant energy savings



Works with Touch Remote for full-function control from multiple locations

Two-second fade rate

Recalls last-used lighting level (preset)

PROJECT
LOCATION/TYPE

Product Overview

Description

The TDA-603 Universal Multi-way Touch Dimmer provides smooth dimming control of incandescent, magnetic low voltage, electronic low voltage (forward phase compatible), neon and cold-cathode, and selected dimmable two-wire linear and compact fluorescent loads via a rocker paddle. It also operates selected LED loads (contact the manufacturer to determine compatibility). An LED bar graph displays the preset level when the dimmer is off, and the current lighting level when the dimmer is on.

Operation

The TDA-603 Universal Dimmer installs into a standard single-gang or multi-way wallbox and can replace a standard switch. Once installed, the device is controlled by the user via the paddle. To dim the connected load, the user presses and holds the bottom of the paddle. To brighten the connected load, the user presses and holds the top of the paddle. Tapping once on the top of the paddle recalls the last lighting level. Giving two taps brings lighting to full output. Tapping once on the bottom of the paddle fades lighting to off. All level changes are smoothly executed using a two-second fade rate.

Features

- Replaces standard single-pole or multi-way switches
- Compatible with most load types
- Customizable low/high end trims (Refer to installation instructions)
- Provides multi-way control when used with one or more Touch Remote (TDR)
- Low-profile styling
- Square law or fluorescent dimming curve
- Patented overload and short-circuit protection

Multilocation Control & Fluorescent Mode

The TDA-603 Incandescent Multi-way Touch Dimmer can be used in both single-pole and multilocation applications. In multilocation applications, a TDA-603 is installed in one location and the Touch Remote (TDR) is installed in the other locations. This provides the user with full-function dimming control from all connected control locations. The TDA-603 cannot be used with three-way and four-way switches. The TDA-603 Universal Dimmer has two dimming curves, square law (default) and fluorescent, so that various loads, connected to different dimmers, will perform similarly. Fluorescent dimming is smooth, with a typical low level of approximately 5% (consult ballast manufacturer for specifics).

Applications

TDA-603 Universal Dimmers offer a single product solution for multiple dimming requirements. They are recommended as stand-alone replacements for single-pole or multi-way light switches for all commercial, hospitality and residential applications, except those without a neutral wire at the dimmer location.

- Soft start technology significantly extends lamp life by limiting inrush current
- Long life status LED
- Power failure restore to last-used level
- Air-gap switch ensures safe relamping
- Choice of six decorator colors (NEMA White, NEMA Ivory, Almond, Light Almond, Grey and NEMABlack)
- Compatible with decorator wallplates



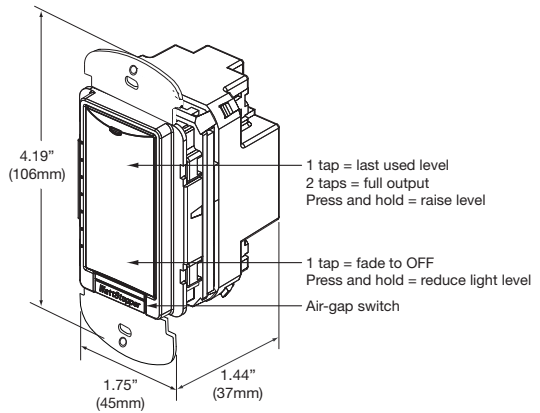
Specifications

- 120VAC; 60Hz
- Neutral required
- Load rating (incandescent, ELV (forward phase compatible), MLV, cold cathode/neon, compatible two-wire fluorescent loads):
25-600W or 25-600VA, see derating chart

- Filtered output for RFI suppression
- Use only one dimmer in a multilocation application
- For indoor use only
- UL and cUL listed
- Five year warranty

Controls & Wiring

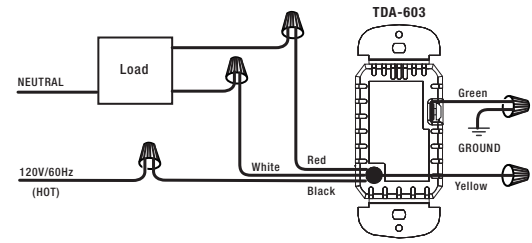
Product Controls



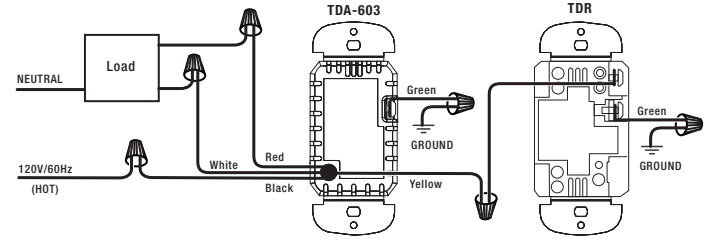
Compatible Ballasts

Manufacturer	Models
Advance Mark 10®	REZ-132-SC, REZ-2532-SC, REZ-3532-SC, REZ-154, REZ-2554, REZ-1Q18-M2, REZ-2Q18-M2, REZ-2Q26-M2, REZ-1T42-M2, REZ-2T42-M3, REZ-1TTS40, REZ-1TTS40-SC, REZ-2TTS40, REZ-2TTS40-SC, IEZ-2S24-D
Advance Ambistar	REB-2526-M1-LS-DIM, REB-2526-M1-BS-DIM
Lutron Tu-Wire®	2W-T426-120-1-S, 2W-T426-120-2-S, 2W-T432-120-1-S, 2W-T432-120-2-S, 2W-T832-120-1-S, 2W-T832-120-2-S
Sylvania Quicktronic® Powersense™	QTP1x32T8/UNV DIM, QTP2x32T8/UNV DIM, QTP3x32T8/UNV DIM, QTP4x32T8/UNV DIM

Single-pole Wiring



Multilocation Wiring



Derating Information

Dimmer Catalog #	Maximum Load	Up to four devices ganged together	Five or more devices ganged together
TDA-603	600W/600VA	No derating required	500W/500VA

Ordering Information

Catalog No.	Color	Description	Voltage	Load Rating
<input type="checkbox"/> TDA-603-W	White	Universal 600W Multi-way Touch Dimmer	120VAC, 60Hz	25-600W
<input type="checkbox"/> TDA-603-I	Ivory			
<input type="checkbox"/> TDA-603-A	Almond			
<input type="checkbox"/> TDA-603-LA	Lt. Almond			
<input type="checkbox"/> TDA-603-G	Grey			
<input type="checkbox"/> TDA-603-B	Black			



Touch Fan Speed Control (TDFC-1A)

Controls one or two ceiling fans

Factory preset with four speeds plus on and off

Decorator styling compatible with screwless or standard wall plates



Recalls last-used speed

Silent or 'de-humming' technology for buzz-free fan operation

PROJECT
LOCATION/TYPE

Product Overview

Description

The TDFC-1A Touch Fan Speed Control provides speed control for one or two ceiling fans via a rocker paddle and four preset pushbuttons. It features status LEDs and low-profile decorator styling.

Operation

A TDFC-1A Touch Fan Speed Control can operate two ceiling fans from a single location. The user may increase or decrease fan speed by pressing up or down on the paddle, or by tapping one of four small pushbuttons that provide preset speeds ranging from 25-100%. To turn the fan off, the user taps the bottom of the large paddle. The previously used fan speed may be recalled by tapping once on the top of the paddle.

Multilocation Control

The TDFC-1A Touch Fan Speed Control can be used in both single-pole and multilocation applications. In multilocation applications, a TDFC-1A is installed in one location and the Touch Remote (TDR) is installed in the other locations. This provides the user with speed control from all connected control locations. The TDFC-1A cannot be used with three-way and four-way switches.

Applications

The Touch Fan Speed Control is exclusively designed for use with ceiling fans and should not be used to control: lighting, receptacles or transformer-operated devices; a fan and a light wired together on the same load wire or in the same circuit as a GFCI breaker or receptacle; or a fan that requires the manufacturer's fan speed controller.

Features

- Fan Controller operates one or two ceiling fans
- Provides multi-way control when used with one or more Touch Remote (TDR)
- Silent or 'de-humming' technology for buzz-free operation
- Low-profile styling
- Patented overload and short-circuit protection
- Long life LED status indicators
- Power failure restore to last-used speed
- Air-gap switch for safety
- Choice of six decorator colors (NEMA White, NEMA Ivory, Almond, Light Almond, Grey and NEMA Black)
- Compatible with decorator wallplates

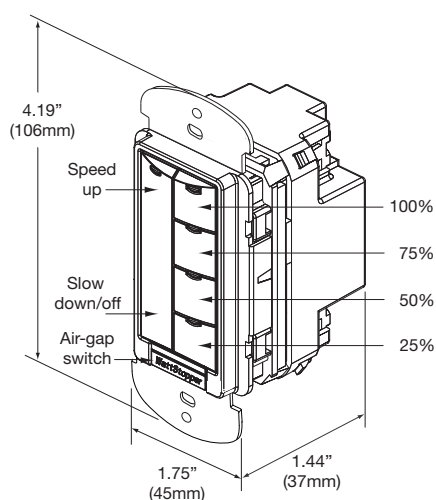


Specifications

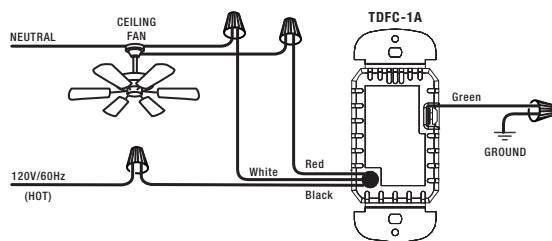
- 120VAC; 60Hz
- Neutral required
- Load rating: 0-1.5A
- Use only one fan speed control in a multilocation application
- For indoor use only
- UL and cUL listed
- Five year warranty

Controls & Wiring

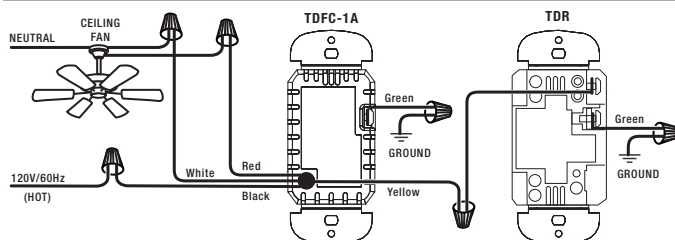
Product Controls



Single-pole Wiring



Multilocation Wiring



Ordering Information

Catalog No.	Color	Description	Voltage	Load Rating
<input type="checkbox"/> TDFC-1A-W	White	Multi-way Touch Fan Speed Control	120VAC, 60Hz	0-1.5A
<input type="checkbox"/> TDFC-1A-I	Ivory			
<input type="checkbox"/> TDFC-1A-A	Almond			
<input type="checkbox"/> TDFC-1A-LA	Light Almond			
<input type="checkbox"/> TDFC-1A-G	Grey			
<input type="checkbox"/> TDFC-1A-B	Black			

Contact factory for availability.
Order wallplates separately.



Touch Remote (TDR)

Full-function remote control of Touch Dimmers from multiple locations

Decorator styling compatible with screwless or standard wall plates



Remote control of Touch Fan Speed Controls from multiple locations

Recalls last-used lighting level or fan speed (preset)

PROJECT
LOCATION/TYPE

Product Overview

Description

TDR Touch Remotes are used with a TDA-603 Universal Dimmer or TD-603 Incandescent Dimmer to control lighting from one or more remote locations.

Operation

The TDR has no direct connection to the load. It installs into a standard wallbox and connects to the dimmer via a traveler wire. To dim the connected load, the user presses and holds the bottom of the paddle. To brighten the connected load, the user presses and holds the top of the paddle. Tapping once on the top of the paddle recalls the last lighting level. Giving two taps brings the load to full. Tapping once on the bottom of the paddle fades the load off. All changes are smoothly executed using a two-second fade rate.

Multilocation Control Capabilities

TDR Touch Remotes allow full-function remote control of Touch Dimmers. An unlimited number of Touch Remotes may be connected to a single dimmer or fan speed control by a traveler wire; however, the total length of the traveler wire is limited to 200 feet.

Applications

TDR Touch Remotes are ideal for use in commercial or residential applications with multiple entrances, such as conference rooms, training rooms and hallways.

Features

- Compatible with Touch Dimmers
- Low-profile styling
- Two-second fade rate
- Power failure restore to last-used level
- Choice of six decorator colors (NEMA White, NEMA Ivory, Almond, Light Almond, Grey and NEMA Black)
- Compatible with decorator wallplates

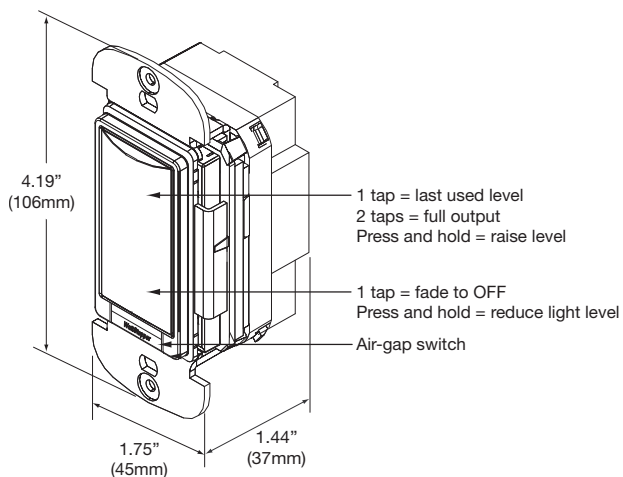


Specifications

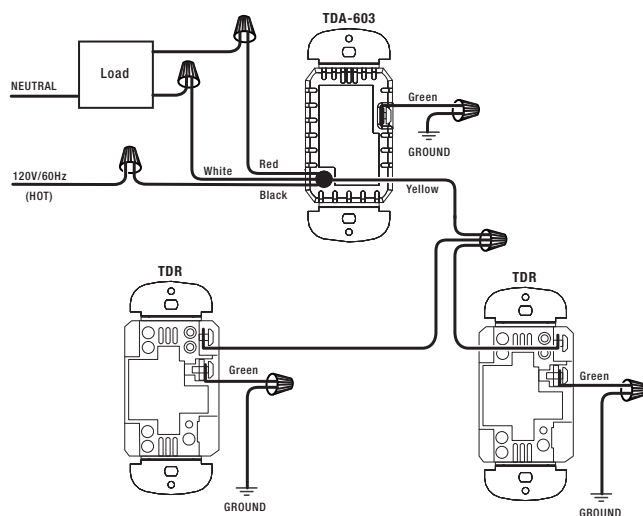
- 120VAC; 60Hz
- For indoor use only
- UL and cUL listed
- Five year warranty

Controls & Wiring

Product Controls



Wiring Diagram



One or more TDRs are wired to a single Touch Dimmer using a traveler wire. The combined length of the traveler wires must not exceed 200 feet.

Ordering Information

Catalog No.	Color	Description	Voltage	Load Rating
<input type="checkbox"/> TDR-W	White	Touch Remote	120VAC, 60Hz	N/A
<input type="checkbox"/> TDR-I	Ivory			
<input type="checkbox"/> TDR-A	Almond			
<input type="checkbox"/> TDR-LA	Lt. Almond			
<input type="checkbox"/> TDR-G	Grey			
<input type="checkbox"/> TDR-B	Black			

Contact factory for availability.
Order wallplates separately.



SLIDE DIMMERS

Designer-style slide dimmers blend cost-effective aesthetics with a solid tactile feel. This family of products includes preset models, a dual slide-to-off model, a preset fan speed control and a choice of six colors. Load types include incandescent and magnetic low voltage.

Slide Dimmers allow for quick and easy light level adjustment. Choices include a model for independent control of two incandescent loads, and a high-capacity fan speed control for simultaneous control of multiple fans.





WALL BOX DIMMERS & DIMMING SENSORS



Incandescent Multi-way Slide Dimmer (SD-603, SD-1003)

Dim lighting for increased energy savings

Adjust light output to ideal levels

No derating required for 600W model



For single-pole or multi-way applications; no neutral required

On/Off/Preset control

Ideal for commercial and residential applications

PROJECT
LOCATION/TYPE

Product Overview

Description

The SD-603 and SD-1003 Incandescent Multi-way Slide Dimmers provide easy preset dimming control via a slider and an on/off switch. Designed to replace a standard light switch or dimmer, the devices allow users to set the ideal light level for any activity taking place in a room.

Operation

The SD-603 and SD-1003 control incandescent and halogen loads and fit in standard wallboxes. Once installed, each dimmer is controlled by the slider and the switch. To dim the connected load, the user moves the slider down. To brighten the connected load, the user moves the slider up. Pressing the switch turns the connected load on or off. Lighting will come on to the preset level, determined by the slider position.

Multi-way Operation

Both the SD-603 and SD-1003 models can be used in three-way and multi-way circuits. In a three-way application, the installer connects an SD dimmer in one location and a three-way switch in the other location. If additional control locations are required, one or more four-way switches are installed in the middle of the circuit. This allows dimming and on/off control from the dimmer, and on/off control from the switch(es). For example, in a conference room with two entrances, an occupant would be able to dim and turn lighting on or off from the dimmer location, while another occupant would be able to turn lighting on and off at the switch location.

Applications

SD Incandescent Multi-way Slide Dimmers are ideal in either commercial or residential spaces where multiple activities occur. For example, dimming control in a conference room ensures that light levels can be adjusted for presentations or meetings. At home, residents can adjust family room lighting for activities such as watching movies, reading or playing cards. Users can customize lighting for any activity while simultaneously realizing energy savings.

Features

- Replaces standard single-pole or 3-way switch
- Operates incandescent and halogen loads
- Large switch turns connected load on or off
- Slider control for easy dimming or brightening
- Provides multi-way control when used with standard three- and four-way switches
- No current leakage to load when switch is in off position for safety
- Choice of six decorator colors (NEMA White, NEMA Ivory, Almond, Light Almond, Grey and NEMA Black)
- Compatible with decorator wallplates

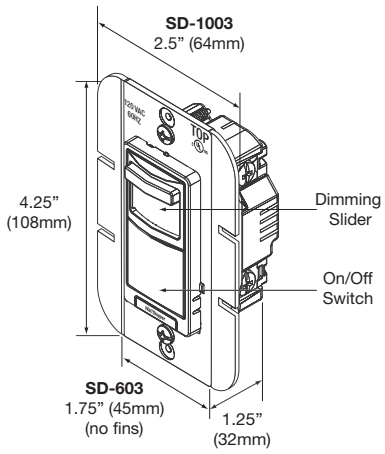


Specifications

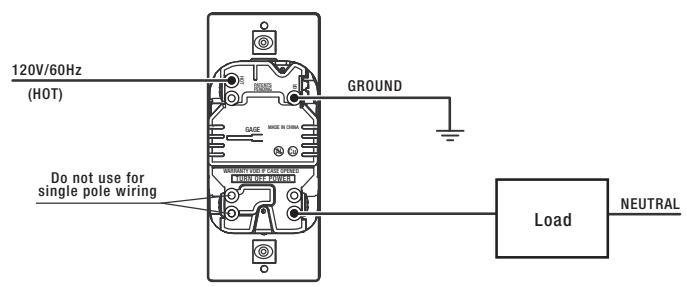
- 120 VAC; 60 Hz
- No neutral required
- Load ratings (incandescent):
 - SD-603: 50-600W; no derating required for multi-gang installations
 - SD-1003: 50-1000W; refer to chart below for derating information
- Filtered output for RFI suppression
- Use only one dimmer in a 3-way/multi-way circuit
- For indoor use only
- UL and cUL listed
- Five year warranty

Controls & Wiring

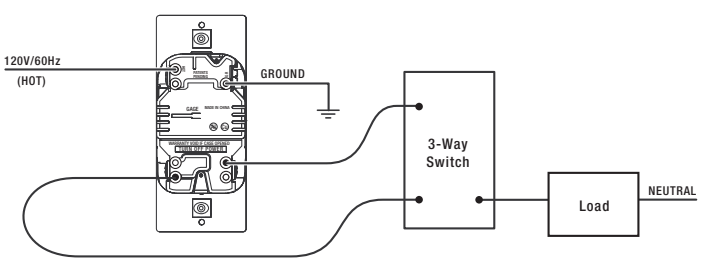
Product Controls



Single-pole Wiring



3-way/Multi-way Wiring



Multi-gang Derating Information

Dimmer Catalog #	Maximum Load	2-Gang Installation (One fin removed from SD-1003)	3-Gang Installation (Both fins removed from SD-1003)
SD-603	600W	No derating required	
SD-1003	1000W	900W	750W

Ordering Information

Catalog No.	Color	Description	Voltage	Load Rating
<input type="checkbox"/> SD-603-W	White	Incandescent 600W Multi-way Slide Dimmer	120 VAC, 60 Hz	50-600W
<input type="checkbox"/> SD-603-I	Ivory			
<input type="checkbox"/> SD-603-A	Almond			
<input type="checkbox"/> SD-603-LA	Lt. Almond			
<input type="checkbox"/> SD-603-G	Grey			
<input type="checkbox"/> SD-603-B	Black			
<input type="checkbox"/> SD-1003-W	White	Incandescent 1000W Multi-way Slide Dimmer	120 VAC, 60 Hz	50-1000W
<input type="checkbox"/> SD-1003-I	Ivory			
<input type="checkbox"/> SD-1003-A	Almond			
<input type="checkbox"/> SD-1003-LA	Lt. Almond			
<input type="checkbox"/> SD-1003-G	Grey			
<input type="checkbox"/> SD-1003-B	Black			

Order wallplate separately.

Incandescent Dual Slide Dimmer (SD2-300)

Dim lighting for increased energy savings

Control incandescent and halogen loads

Use sliders to set light levels



Control two loads independently

Reduce wall clutter

Slide-to-off functionality

PROJECT

LOCATION/TYPE

Product Overview

Description

The SD2-300 Incandescent Dual Slide Dimmer has two sliders for independent control of two loads from one switch location. It is designed to replace single-pole light switches or dimmers and allows users to set the ideal light level for any activity taking place in a space.

Operation

The SD2-300 controls incandescent and halogen loads only. To dim the connected loads, a user moves the appropriate slider down; to brighten the connected loads, the user moves the appropriate slider up. To turn either load off, the user moves the appropriate slider all the way down, to the off position.

Dual Slide

The SD2-300 allows control of two loads from a single-gang wall switch location. Each connected load can be controlled independently, allowing for different light level settings for the two loads.

Applications

The SD2-300 can be used in retrofit applications where wallbox space is limited, or in new construction to reduce wall clutter. It is especially convenient for spaces with lighting on two switched legs. For example, a dual slide dimmer would be ideal for a bathroom with individually controlled overhead lights and lights over the vanity.

Features

- Replaces individual and dual single-pole switches
- Operates incandescent and halogen loads
- Slider control for easy dimming
- Provides independent control of two loads simultaneously
- Low-profile styling
- No current leakage to load in off mode for safety
- Choice of six decorator colors (NEMA White, NEMA Ivory, Almond, Light Almond, Grey and NEMA Black)
- Compatible with decorator wallplates

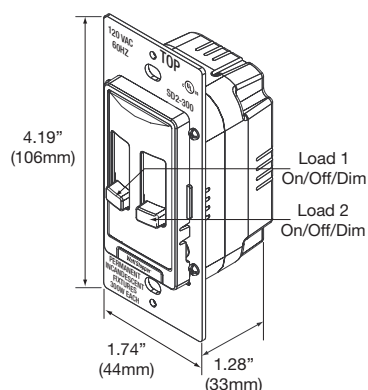


Specifications

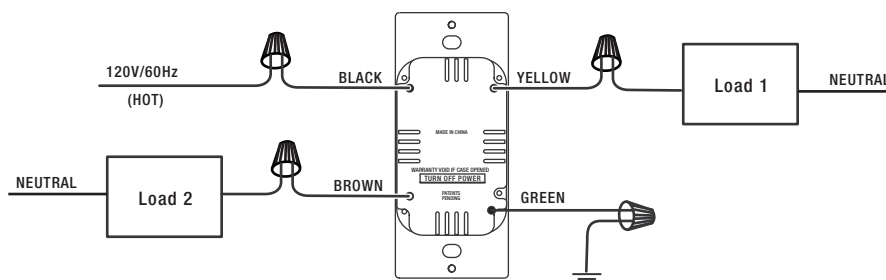
- 120 VAC; 60 Hz
- No neutral required
- Load ratings: 25-300W incandescent (for each load); no derating required for multi-gang installations
- Filtered output for RFI suppression
- For indoor use only
- UL and cUL listed
- Five year warranty

Controls & Wiring

Product Controls



Wiring Diagram



Ordering Information

	Catalog No.	Color	Description	Voltage	Load Rating
<input type="checkbox"/>	SD2-300-W	White	Incandescent 300W Dual Slide Dimmer	120 VAC, 60 Hz	25-300W
<input type="checkbox"/>	SD2-300-I	Ivory			
<input type="checkbox"/>	SD2-300-A	Almond			
<input type="checkbox"/>	SD2-300-LA	Lt. Almond			
<input type="checkbox"/>	SD2-300-G	Grey			
<input type="checkbox"/>	SD2-300-B	Black			

Order wallplate separately.

Magnetic Low Voltage Multi-way Slide Dimmer (SDMLV-603)

Dim lighting for increased energy savings

Adjustable low-end trim

Use slider to set light levels



For single-pole or multi-way applications; no neutral required

On/Off/Preset control

Ideal for commercial and residential applications

PROJECT

LOCATION/TYPE

Product Overview

Description

The SDMLV-603 Magnetic Low Voltage Multi-way Slide Dimmer provides easy preset dimming control via a slider and an on/off switch. It is designed to replace a standard light switch or dimmer, and allows users to set the ideal light level for any activity taking place in a space.

Operation

The SDMLV-603 controls magnetic low voltage lighting loads and fits in a standard wallbox. Once installed, the device is controlled by the slider and the switch. The user dims the connected load by moving the slider down, and brightens the load by moving the slider up. A press of the switch turns the connected load on or off. The load will turn back on to the preset light level, determined by the position of the slider. No derating is required for multi-gang installations.

Multi-way Operation & Low-end Trim

An SDMLV-603 can be used in both three-way and multi-way circuits. In a three-way installation, the SDMLV-603 dimmer is connected in one location and a three-way switch in the other location. This allows dimming and on/off control from the dimmer, and on/off control from the switch. For a multi-way application, one or more four-way switches are connected between the dimmer and three-way switch. The SDMLV-603 allows the low-end trim to be set to accommodate a variety of transformers. With the wallplate removed, the calibration dial can be adjusted as needed. This ensures that the ideal light level can be set for any magnetic low voltage transformer.

Applications

The SDMLV-603 can be used in many different applications to ensure both energy savings and ideal light levels. It can also be used to meet certain energy code requirements, such as elements contained in California Title 24-2008 for residential buildings. The SDMLV-603 will help save energy and cut utility bill costs even when dimmed by only 10%.

Features

- Replaces standard single-pole or 3-way switch
- Operates magnetic low voltage loads
- Large switch turns connected load on or off
- Slider control for easy dimming or brightening
- Provides multi-way control when used with standard three- and four-way switches
- No current leakage to load when switch is in off position for safety
- Choice of six decorator colors (NEMA White, NEMA Ivory, Almond, Light Almond, Grey and NEMA Black)
- Compatible with decorator wallplates



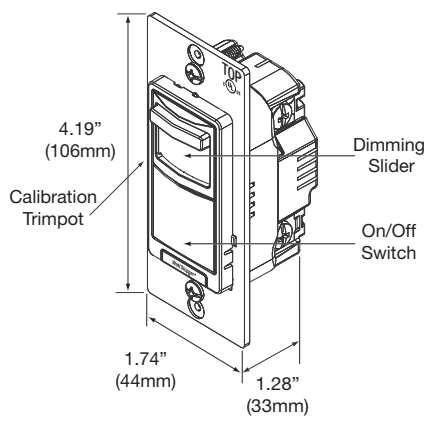


Specifications

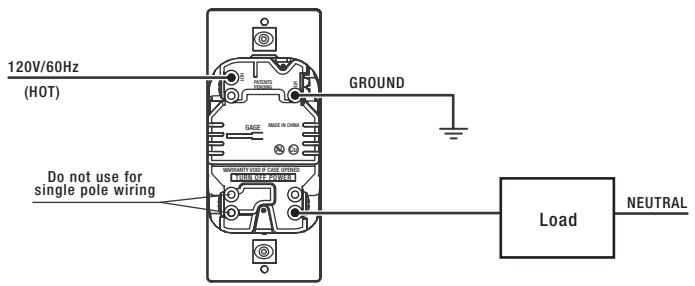
- 120 VAC; 60 Hz
- No neutral required
- Load rating (magnetic low voltage): 25-600VA, no derating required for multi-gang installations
- Use only one dimmer in a 3-way/multi-way circuit
- Filtered output for RFI suppression
- For indoor use only
- UL and cUL listed
- Five year warranty

Controls & Wiring

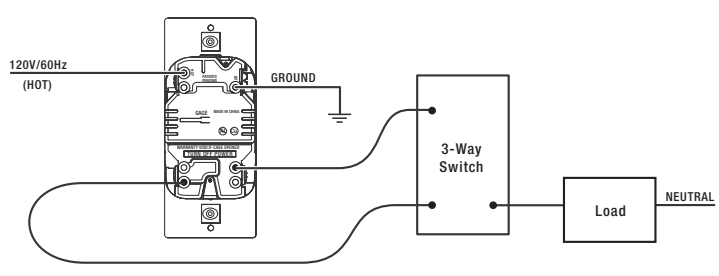
Product Controls



Single-pole Wiring



3-way/Multi-way Wiring



Ordering Information

Catalog No.	Color	Description	Voltage	Load Rating
<input type="checkbox"/> SDMLV-603-W	White	Magnetic Low Voltage 600VA Multi-way Slide Dimmer	120 VAC, 60 Hz	25-600VA
<input type="checkbox"/> SDMLV-603-I	Ivory			
<input type="checkbox"/> SDMLV-603-A	Almond			
<input type="checkbox"/> SDMLV-603-LA	Lt. Almond			
<input type="checkbox"/> SDMLV-603-G	Grey			
<input type="checkbox"/> SDMLV-603-B	Black			

Order wallplate separately.

Multi-way Slide Fan Speed Control (SDFC-5A)

Control one or more ceiling paddle fans from a convenient location

Adjust fan speed easily with slider control

On/Off switch quickly recalls preset speed setting



For single-pole or multi-way applications; no neutral required

Available in six decorator colors

Ideal for both commercial and residential applications

PROJECT

LOCATION/TYPE

Product Overview

Description

The SDFC-5A Slide Fan Speed Control allows users to set and maintain the ideal fan speed in any space. It is comprised of a simple slider for fully variable speed control, and an on/off switch. The SDFC-5A replaces a standard switch for ceiling paddle fans.

Operation

The SDFC-5A Slide Fan Speed Control installs easily into any standard single- or multi-gang wallbox. Once installed, the device can be easily controlled by the slider and the switch. To increase or decrease fan speed, a user simply moves the slider up or down. The controlled fan is turned on or off by pressing the switch. When the fan is powered on, it will operate at the preset speed, as set by the slider position.

Multi-way Operation

The SDFC-5A can be used in three-way or multi-way circuits. In three-way applications, a fan speed control is installed in one location and a three-way switch is installed in the other location. If an additional control location is required, a four-way switch is installed in the middle of the circuit. A three-way or multi-way installation provides the user with on/off and speed control from the SDFC-5A, and on/off control from the switch(es).

Applications

High capacity SDFC-5A Slide Fan Speed Controls are ideal in either commercial or residential spaces. Users can control multiple fans with a single unit. Sometimes, large rooms such as banquet facilities, restaurants, hotel lobbies and enclosed patios contain multiple fans. In these types of spaces, controlling the speed of multiple fans with one control can effectively ensure even airflow throughout the room. The installer must verify that the combined fan load does not exceed the maximum load rating of the device.

Features

- Replaces a standard fan switch (solid-state fan speed controls only)
- One device controls multiple fans
- Provides slide control to easily obtain any fan speed
- On/Off switch quickly recalls the last user setting
- No current leakage to load when switch is in off position for safety
- Choice of six decorator colors (NEMA White, NEMA Ivory, Almond, Light Almond, Grey and NEMA Black)
- Compatible with decorator wallplates

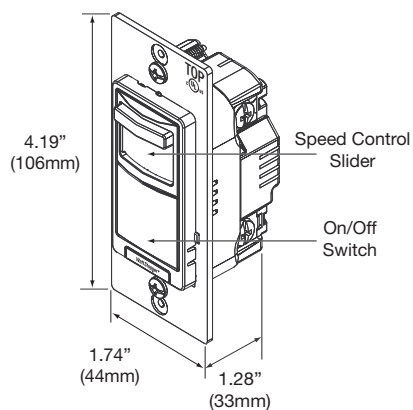


Specifications

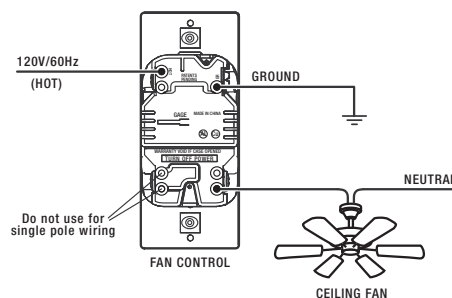
- 120 VAC; 60 Hz
- No neutral required
- Load rating: 0.33-5A
- Use only with fans marked suitable for use with solid state fan speed controls
- Use only one fan speed control in a 3-way/multi-way circuit
- For indoor use only
- UL and cUL listed
- Five year warranty

Controls & Wiring

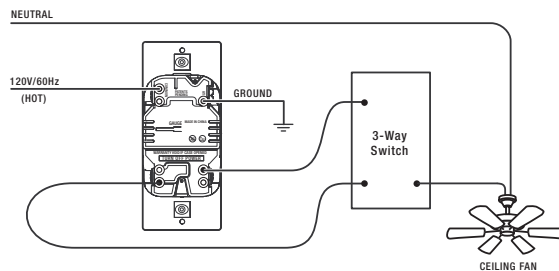
Product Controls



Single-pole Wiring



3-way/Multi-way Wiring



Ordering Information

Catalog No.	Color	Description	Voltage	Load Rating
<input type="checkbox"/> SDFC-5A-W	White	Multi-way Slide Fan Speed Control	120 VAC, 60 Hz	0.33-5A
<input type="checkbox"/> SDFC-5A-I	Ivory			
<input type="checkbox"/> SDFC-5A-A	Almond			
<input type="checkbox"/> SDFC-5A-LA	Lt. Almond			
<input type="checkbox"/> SDFC-5A-G	Grey			
<input type="checkbox"/> SDFC-5A-B	Black			

Order wallplate separately.



PADDLE DIMMERS

Coordinate device styling with these devices, which coordinate with popular decorator styling. Light levels are controlled by the understated slide control while the convenient paddle provides on/off control. Choose from models available for all lighting types, including LEDs. Fan speed controls are also available, as well as a palette of six decorator colors.







Incandescent Multi-way Paddle Dimmer (HD-703, HD-1103)

Dim lighting for increased energy savings

Adjust light output to ideal levels with slider

No derating required for 700W dimmer



For single-pole or multi-way applications; no neutral required

On/Off/Preset control

Ideal for both commercial and residential applications

PROJECT
LOCATION/TYPE

Product Overview

Description

The HD-703 and HD-1103 Incandescent Paddle Dimmers provide easy on/off and preset dimming control via a paddle switch and a low-profile slider. Designed to replace a standard light switch or dimmer, the devices allow for ideal light levels regardless of the activity taking place in a room. This provides versatility and customization for the user to apply to any setting.

Operation

The Incandescent Paddle Dimmers brighten and dim the connected lights when the slider is moved up and down. As the slider is moved up towards the top of the product the connected lights will brighten. As the slider is moved towards the bottom of the product, the connected lights will dim. The paddle switches the lights on and off. The lights will turn back on to the preset level, determined by the position of the slider.

Optional Multi-way Control

The HD-703 and HD-1103 dimmers can be used in either single-pole or multi-way applications. In a three-way application, an HD dimmer is installed in one location and a three-way switch is installed in the other location. If additional control locations are required, one or more four-way switches are installed in the middle of the circuit. A multi-way installation provides the user with on/off and dimming control from the dimmer, and on/off control from the switch(es).

Applications

The HD-703 and HD-1103 dimmers are ideal for any space where dimming control of incandescent loads is desired. Installing paddle dimmers in spaces that may be used for multiple tasks, such as conference rooms or living/family rooms, allows users to set the lights to the most appropriate levels for specific activities. Additionally, in spaces such as lobbies and entrances lower light levels—still welcoming for visitors entering a building, but not necessarily at 100% throughout the entire day—are ideal.

Features

- Replaces any standard single-pole or 3-way switch
- Operates incandescent and halogen loads
- LED for easy location in darkened rooms
- Large paddle switch turns connected load on or off
- Slider control for easy dimming or brightening
- Quickly recalls the last user setting
- No current leakage to load when switch is in off position for safety
- Choice of six decorator colors (NEMA White, NEMA Ivory, Almond, Light Almond, Grey and NEMA Black)
- Compatible with decorator wallplates

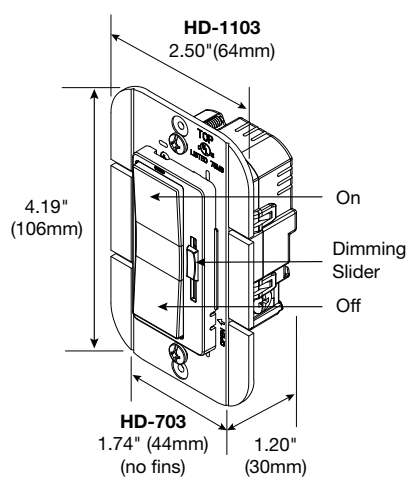


Specifications

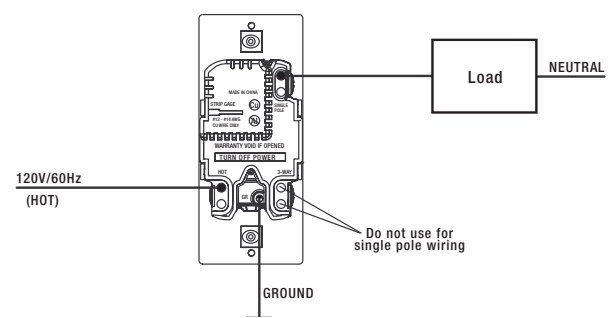
- 120VAC; 60Hz
- No neutral required
- Load ratings (incandescent):
 - HD-703: 50-700W; no derating required for multi-gang installation
 - HD-1103: 50-1100W; derating required - see chart below
- Filtered output for RFI suppression
- Use only one dimmer in a 3-way/multi-way circuit
- For indoor use only
- UL and cUL listed
- Five year warranty

Controls & Wiring

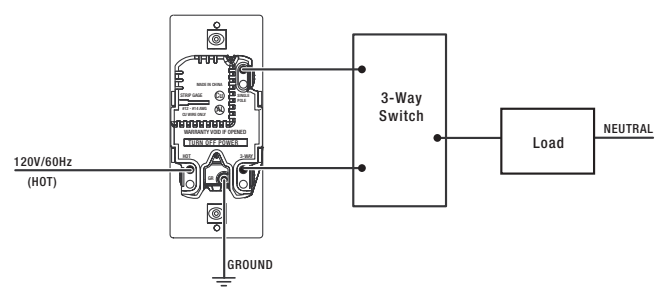
Product Controls



Single-pole Wiring



3-way/Multi-way Wiring



Multi-gang Derating Information

Dimmer Catalog #	Maximum Load	2-Gang Installation (One fin removed from HD-1103)	3-Gang Installation (Both fins removed from HD-1103)
HD-703	700W	No derating required	
HD-1103	1100W	1000W	800W

Ordering Information

	Catalog No.	Color	Description	Voltage	Load Rating
<input type="checkbox"/>	HD-703-W	White	Incandescent 700W Multi-way Paddle Dimmer	120VAC, 60Hz	50-700W
<input type="checkbox"/>	HD-703-I	Ivory			
<input type="checkbox"/>	HD-703-A	Almond			
<input type="checkbox"/>	HD-703-LA	Lt. Almond			
<input type="checkbox"/>	HD-703-G	Grey			
<input type="checkbox"/>	HD-703-B	Black			
<input type="checkbox"/>	HD-1103-W	White	Incandescent 1100W Multi-way Paddle Dimmer	120VAC, 60Hz	50-1100W
<input type="checkbox"/>	HD-1103-I	Ivory			
<input type="checkbox"/>	HD-1103-A	Almond			
<input type="checkbox"/>	HD-1103-LA	Lt. Almond			
<input type="checkbox"/>	HD-1103-G	Grey			
<input type="checkbox"/>	HD-1103-B	Black			

Order wallplate separately.



Magnetic Low Voltage Multi-way Paddle Dimmer (HDMLV-703, HDMLV-1103)

Dim lighting for increased energy savings

Adjust light output to ideal levels with slider

Adjustable low-end trim



For single-pole or multi-way applications; no neutral required

On/Off/Preset control

Suitable for commercial or residential applications

PROJECT
LOCATION/TYPE

Product Overview

Description

The HDMLV-703 and HDMLV-1103 Magnetic Low Voltage Paddle Dimmers provide easy on/off and preset dimming control of magnetic low voltage lighting loads via a paddle switch and a low-profile slider. Designed to replace a standard light switch or dimmer, the devices allow for ideal light levels regardless of the activity taking place in a room.

Operation

With HDMLV Magnetic Low Voltage Dimmers, users can brighten and dim the connected lights by moving the slider up and down. As the slider is moved up towards the top of the product the connected lights will brighten. As the slider is moved towards the bottom of the product, the connected lights will dim. The paddle switches the lights on and off. The lights will turn back on to the preset level, determined by the position of the slider.

Multi-way Control & Low-end Trim

The HDMLV-703 and HDMLV-1103 can be used in both single-pole or multi-way applications. In a three-way application, an HDMLV dimmer is installed in one location and a three-way switch is installed in the other location. If additional control locations are required, one or more four-way switches are installed in the middle of the circuit. A multi-way installation provides the user with on/off and dimming control from the dimmer, and on/off control from the switch(es). The dimmers also allow easy low-end trim calibration for use with different magnetic transformers. Users simply remove the wallplate to adjust the calibration dial.

Applications

The PDMLV-703 and PDMLV-1103 can be used to save energy and reduce utility costs in both commercial and residential applications where magnetic low voltage lighting loads are common, such as accent lighting.

Features

- Replaces any standard single-pole or 3-way switch
- Operates magnetic low voltage loads
- LED for easy location in darkened rooms
- Large paddle switch turns connected load on or off
- Slider control for easy dimming or brightening
- Quickly recalls the last user setting
- No current leakage to load when switch is in off position for safety
- Choice of six decorator colors (NEMA White, NEMA Ivory, Almond, Light Almond, Grey and NEMA Black)
- Compatible with decorator wallplates

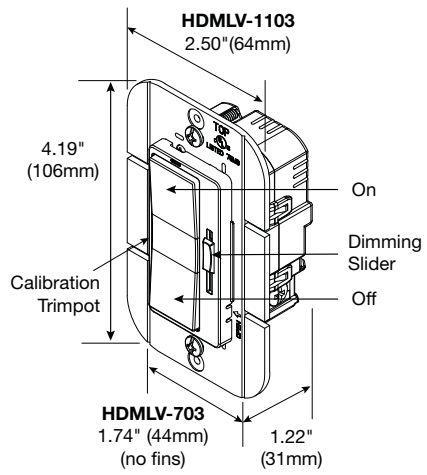


Specifications

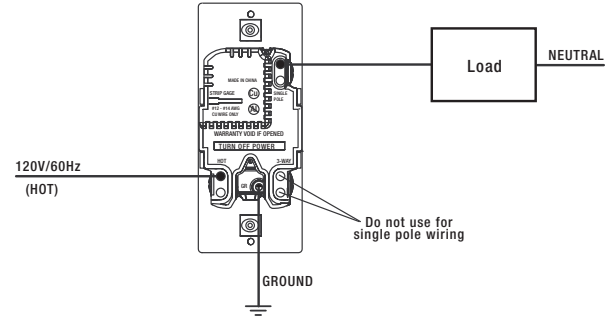
- 120VAC; 60Hz
- No neutral required
- Load ratings (magnetic low voltage):
 - HDMLV-703: 50-700VA, derating required - see chart below
 - HDMLV-1103: 50-1100VA, derating required - see chart below
- Filtered output for RFI suppression
- Use only one dimmer in a 3-way/multi-way circuit
- For indoor use only
- UL and cUL listed
- Five year warranty

Controls & Wiring

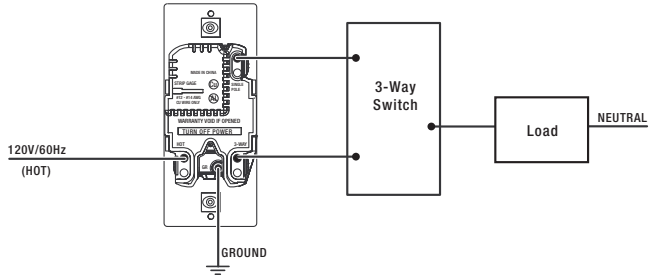
Product Controls



Single-pole Wiring



3-way/Multi-way Wiring



Multi-gang Derating Information

Dimmer Catalog #	Maximum Load	2-Gang Installation (One fin removed from HDMLV-1103)	3-Gang Installation (Both fins removed from HDMLV-1103)
HDMLV-703	700VA	No derating required	650VA
HDMLV-1103	1100VA	950VA	700VA

Ordering Information

Catalog No.	Color	Description	Voltage	Load Rating
<input type="checkbox"/> HDMLV-703-W	White	Magnetic Low Voltage 700VA Multi-way Paddle Dimmer	120VAC, 60Hz	50-700VA
<input type="checkbox"/> HDMLV-703-I	Ivory			
<input type="checkbox"/> HDMLV-703-A	Almond			
<input type="checkbox"/> HDMLV-703-LA	Lt. Almond			
<input type="checkbox"/> HDMLV-703-G	Grey			
<input type="checkbox"/> HDMLV-703-B	Black			
<input type="checkbox"/> HDMLV-1103-W	White	Magnetic Low Voltage 1100VA Multi-way Paddle Dimmer	120VAC, 60Hz	50-1100VA
<input type="checkbox"/> HDMLV-1103-I	Ivory			
<input type="checkbox"/> HDMLV-1103-A	Almond			
<input type="checkbox"/> HDMLV-1103-LA	Lt. Almond			
<input type="checkbox"/> HDMLV-1103-G	Grey			
<input type="checkbox"/> HDMLV-1103-B	Black			

Order wallplate separately.

Two-wire Fluorescent Multi-way Paddle Dimmer (HDFM-8A)

Dim lighting for increased energy savings

Adjust light output to ideal levels with slider

Adjustable low-end trim



For single-pole or multi-way applications; no neutral required

On/Off/Preset control

Suitable for commercial or residential applications

PROJECT
LOCATION/TYPE

Product Overview

Description

The HDFM-8A Fluorescent Multi-way Paddle Dimmer provides easy on/off and preset dimming control of two-wire dimmable fluorescent lighting loads via a paddle switch and a low-profile slider. Designed to replace a standard light switch or dimmer, the device allows for ideal light levels regardless of the activity taking place in a room.

Operation

With Fluorescent Paddle Dimmers, users can brighten and dim the connected lights by moving the slider up and down. As the slider is moved up towards the top of the product the connected lights will brighten. As the slider is moved towards the bottom of the product, the connected lights will dim. The paddle switches the lights on and off. The lights will turn back on to the preset level, determined by the position of the slider.

Multi-way Control & Low-end Trim

The HDFM-8A can be used in both single-pole and multi-way applications. In multi-way applications, a HDFM-8A dimmer is installed in one location and a three-way switch is installed in the other location. If additional control locations are required, one or more four-way switches are installed in the middle of the circuit. A multi-way installation provides the user with on/off and dimming control from the dimmer, and on/off control from the switch(es). The dimmers also allow easy low-end trim calibration for use with different compatible dimming ballasts. Users simply remove the wallplate to adjust the calibration dial.

Applications

The HDFM-8A can be used to save energy and reduce utility costs in applications where fluorescent lighting loads are common, such as private offices and conference rooms.

Features

- Replaces any standard single-pole or 3-way switch
- Operates specific fluorescent loads
- LED for easy location in darkened rooms
- Large paddle switch turns connected load on or off
- Slider control for easy dimming or brightening
- Quickly recalls the last user setting
- No current leakage to load when switch is in off position for safety
- Choice of six decorator colors (NEMA White, NEMA Ivory, Almond, Light Almond, Grey and NEMA Black)
- Compatible with decorator wallplates

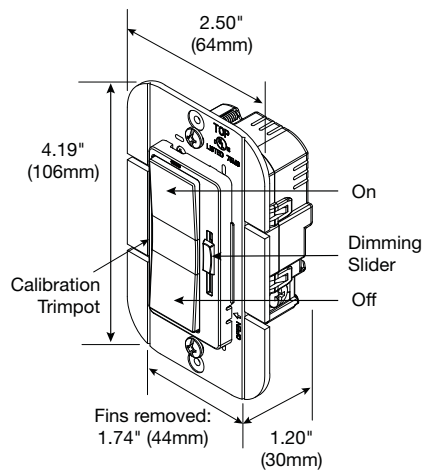


Specifications

- 120VAC; 60Hz
- No neutral required
- Load rating (compatible fluorescent loads only): 0.3 - 8A; derating required - see chart below
- Filtered output for RFI suppression
- Includes voltage compensation circuitry for stabilized light output
- Use only one dimmer in a 3-way/multi-way circuit
- For indoor use only
- UL and cUL listed
- Five year warranty

Controls & Wiring

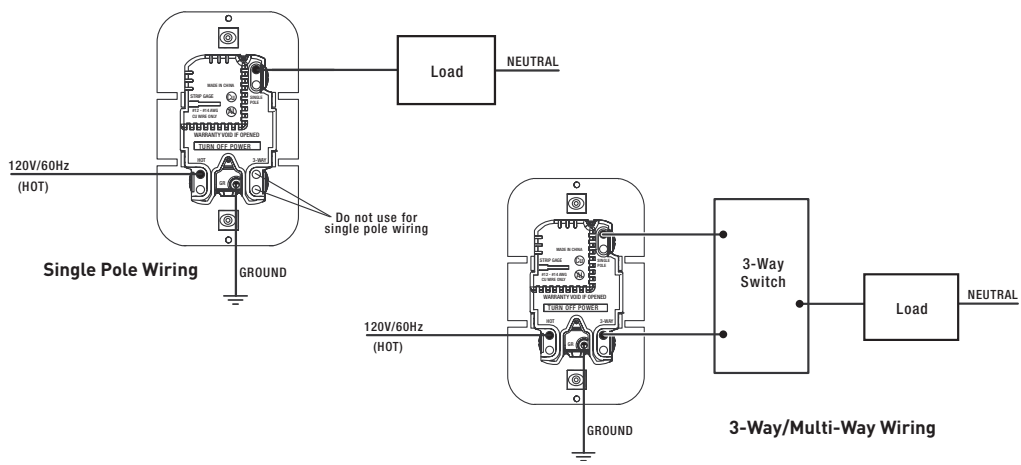
Product Controls



Compatible Ballasts

Manufacturer	Models
Advance Mark 10®	REZ-132-SC, REZ-2532-SC, REZ-3S32-SC, REZ-154, REZ-2554, REZ-1Q18-M2, REZ-2Q18-M2, REZ-2Q26-M2, REZ-1T42-M2, REZ-2T42-M3, REZ-1TTS40, REZ-1TTS40-SC, REZ-2TTS40, REZ-2TTS40-SC, IEZ-2S24-D
Advance Ambistar	REB-2S26-M1-LS-DIM, REB-2S26-M1-BS-DIM
Lutron Tu-Wire®	2W-T426-120-1-S, 2W-T426-120-2-S, 2W-T432-120-1-S, 2W-T432-120-2-S, 2W-T832-120-1-S, 2W-T832-120-2-S
Sylvania Quicktronic® Powersense™	QTP1x32T8/UNV DIM, QTP2x32T8/UNV DIM, QTP3x32T8/UNV DIM, QTP4x32T8/UNV DIM

Wiring Diagrams



Multi-gang Derating Information

Dimmer Catalog #	Maximum Load	2-Gang Installation One fin removed	3-Gang Installation Both fins removed
HDFM-8A	8A	No derating required	6.5A

Ordering Information

Catalog No.	Color	Description	Voltage	Load Rating
<input type="checkbox"/> HDFM-8A-W	White	Two-wire Fluorescent Multi-way Paddle Dimmer	120VAC, 60Hz	0.3-8A
<input type="checkbox"/> HDFM-8A-I	Ivory			
<input type="checkbox"/> HDFM-8A-A	Almond			
<input type="checkbox"/> HDFM-8A-LA	Lt. Almond			
<input type="checkbox"/> HDFM-8A-G	Grey			
<input type="checkbox"/> HDFM-8A-B	Black			

Order wallplate separately.



CFL/LED Multi-way Paddle Dimmer (HDCL-453)

Dim LED and CFL lighting for increased energy savings

Adjust light output to ideal levels with slider



Single-pole or multi-way applications

On/Off/Preset control

Ideal for both commercial and residential applications

PROJECT
LOCATION/TYPE

Product Overview

Description

The HDCL-453 CFL/LED Paddle Dimmer provides easy on/off and preset dimming control via a paddle switch and a low-profile slider. Designed to replace a standard light switch or dimmer, the device allows for ideal light levels regardless of the activity taking place in a room. This provides versatility and customization for the user to apply to any setting.

Operation

The HDCL-453 CFL/LED Paddle Dimmer brightens and dims the connected lights when the slider is moved up and down. As the slider is moved up towards the top of the product the connected lights will brighten. As the slider is moved towards the bottom of the product, the connected lights will dim. The paddle switches the lights on and off. The lights will turn back on to the preset level, determined by the position of the slider.

Optional Multi-way Control

The HDCL-453 dimmer can be used in either single-pole or multi-way applications. In a three-way application, a HD dimmer is installed in one location and a three-way switch is installed in the other location. If additional control locations are required, one or more four-way switches are installed in the middle of the circuit. A multi-way installation provides the user with on/off and dimming control from the dimmer, and on/off control from the switch(es).

Applications

The HDCL-453 dimmers are ideal for any space where dimming control of CFL/LED loads is desired. Installing paddle dimmers in spaces that may be used for multiple tasks, such as conference rooms or living/family rooms, allows users to set the lights to the most appropriate levels for specific activities. Additionally, in spaces such as lobbies and entrances lower light levels—still welcoming for visitors entering a building, but not necessarily at 100% throughout the entire day—are ideal.

Features

- Replaces any standard single-pole or 3-way switch
- Operates compact fluorescent (CFL) and light emitting diode (LED) loads
- LED for easy location in darkened rooms
- Large paddle switch turns connected load on or off
- Slider control for easy dimming or brightening
- Quickly recalls the last user setting
- No current leakage to load when switch is in off position for safety
- Choice of six decorator colors (NEMA White, NEMA Ivory, Almond, Light Almond, Grey and NEMA Black)
- Compatible with decorator wallplates

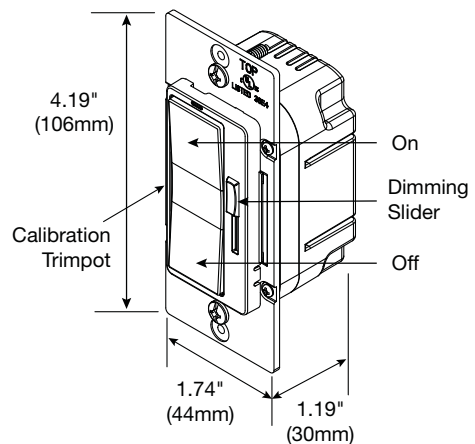


Specifications

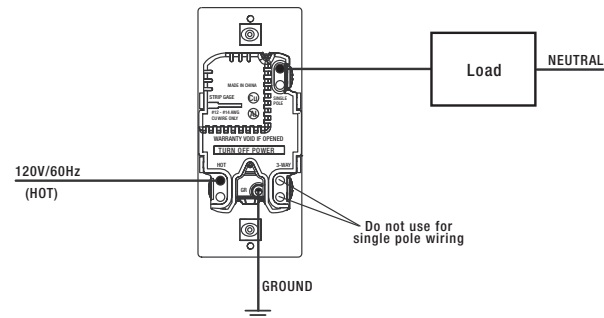
- 120VAC; 60Hz
- Load rating (CFL, LED): 10-450W
- Use only one dimmer in a 3-way/multi-way circuit
- Filtered output for RFI suppression
- For indoor use only
- UL and cUL listed
- Five year warranty

Controls & Wiring

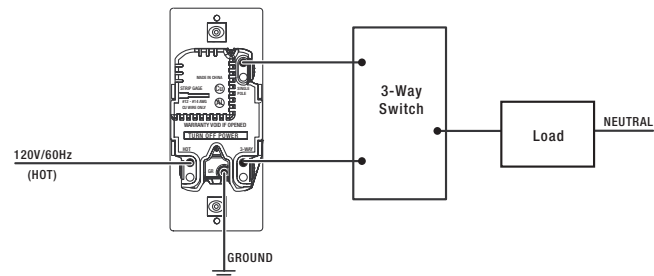
Product Controls



Single-pole Wiring



3-way/Multi-way Wiring



Compatible Lamps

CFL

Manufacturer	Models
Ecosmart	ES5CCDF052 (8TC05), ES5M814DIM2 (40114), ES5M10123 (10123), BPESL11R20/DIM/ESM (2R2014DIM), ES5R315DIM50K (2R3015DIM), ES5R315DIM35K (2R3015DIM), ES5R214DIM50K (2R2014DIM)
Feit	BPESL15T/DM, BPESL23T/DM
Bright Effects	LBP13TC/DM
GE	FLE15HT3/2/DV/SW, FLE26HT3/2/DV/SW, FLE26/2/DV/R40
Philips	EL/A PAR38 DIM 20W, EL/A R30 DIM 16W, EL/A R40 DIM 20W, EL/mdT DIM 15W, EL/mdT DIM 20W
TCP	2R2014DIM, 2R3016DIM, 2R4019DIM, 8A08WH, 8TC05F, 8T03CL, 40114, 40123
Sylvania	CF5EL/DECO/DIM, CF14EL/TWIST/827/DIM, CF14EL/R20/DIM, CF15EL/BR30/DIM, CF19EL/BR40/DIM, CF24EL/TWIST/DIM
Halco	CFL15/27/DIM, CFL15/27/R30/DIM, CFL23/27/DIM, CFL23/27/R40/DIM

LED

Manufacturer	Models
Ecosmart	ECS 19 WW 120, ECS 25 WW 120, ECS 20 WW FL 120, ECS 30 WW FL 120, ECS 38 WW FL 120, (CREE) ECO-575L
Philips	11E26PAR30S-E, 12EPAR30S-E1, 7E26PAR20-E, 3E12B11-E, 7E26A60, 6E26R20, 3E12BA11-E, 8E26A60, 17E26PAR38-E1, 16E26PAR38-E
Sylvania	LED8A/DIM/F/830, LED8/PAR20/DIM/830/NFL25, LED8/G25/DIM/F/830, LED15/PAR30LN/DIM/830/NFL25, LED18/PAR38/DIM/830/NFL25
Halco	PAR16/6NW/FL/LED2, PAR20/8NW/NFL/LED2, PAR30/14WW/SP/LED2, PAR38/18WW/FL/LED

Ordering Information

Catalog No.	Color	Description	Voltage	Load Rating
<input type="checkbox"/> HDCL-453-W	White	CFL/LED Multi-way Dimmer	120VAC, 60Hz	10-450W
<input type="checkbox"/> HDCL-453-I	Ivory			
<input type="checkbox"/> HDCL-453-A	Almond			
<input type="checkbox"/> HDCL-453-LA	Lt. Almond			
<input type="checkbox"/> HDCL-453-G	Grey			
<input type="checkbox"/> HDCL-453-B	Black			

Order wallplate separately.



Universal Multi-way Paddle Dimmer (HDA-703)

Dim lighting for increased energy savings

Adjust light output to ideal levels with slider

On/Off/Preset control



Controls all load types; selectable forward or reverse phase control operation

For single-pole or multi-way applications

Ideal for both commercial and residential applications

PROJECT
LOCATION/TYPE

Product Overview

Description

The HDA-703 Universal Paddle Dimmer provides easy on/off and preset dimming control via a paddle switch and a low-profile slider. Designed to replace a standard light switch or dimmer, the device allows for ideal light levels regardless of the activity taking place in a room. This provides versatility and customization for the user to apply to any setting.

Operation

The HDA-703 Universal Paddle Dimmer brightens and dims the connected lights when the slider is moved up and down. As the slider is moved up the connected lights will brighten. As the slider is moved down, the connected lights will dim. The paddle switches the lights on and off. The lights will turn back on to the preset level, determined by the position of the slider. The HDA-703 dimmer can be used in either single-pole or multi-way applications. In a three-way application, an HDA dimmer is installed in one location and a three-way switch is installed in the other location. A multi-way installation provides the user with on/off and dimming control from the dimmer, and on/off control from the switch(es).

Features

- Replaces any standard single-pole or 3-way switch
- Operates incandescent, halogen, electronic low voltage (ELV), magnetic low voltage (MLV), electronic fluorescent (EFL), compact fluorescent (CFL), and light emitting diode (LED) loads
- LED for easy location in darkened rooms
- Large paddle switch turns connected load on or off
- Slider control for easy dimming or brightening
- Quickly recalls the last user setting
- No current leakage to load when switch is in off position for safety
- Choice of six decorator colors (NEMA White, NEMA Ivory, Almond, Light Almond, Grey and NEMA Black)
- Compatible with decorator wallplates

Universal Operation

The HDA-703 dimmer controls LED, ELV, MLV, CFL, EFL, incandescent and halogen loads. It features selectable forward or reverse phase control operation for optimal control of different load types. A switch, hidden behind the wallplate, changes the dimmer from the factory default forward phase control operation to reverse phase control operation. The dimmer also allows easy low-end trim calibration for use with different load types.

Applications

The HDA-703 Universal Dimmer offers a single product solution for dimming control using any type of load. Installing paddle dimmers in spaces that may be used for multiple tasks, such as conference rooms or living/family rooms, allows users to set the lights to the most appropriate levels for specific activities. They are recommended as stand-alone replacements for single-pole or multi-way light switches for all commercial and residential applications, except those without a neutral wire at the dimmer location.



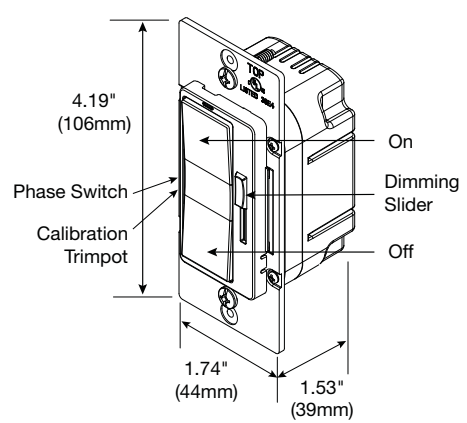
Specifications

- 120VAC; 60Hz
- Minimum load 6W; maximum load ratings:
 - Incandescent, halogen, ELV: 700W
 - CFL, LED: 450W
 - MLV: 500VA
 - EFL: 5.5A
- Maximum load ratings for reverse phase control applications in 3-gang installations:
 - Incandescent, halogen, ELV: 650W
 - EFL: 5A

- No derating for forward phase control applications
- Neutral required
- Filtered output for RFI suppression
- Use only one dimmer in a 3-way/multi-way circuit
- For indoor use only
- UL and cUL listed
- Five year warranty

Controls & Wiring

Product Controls

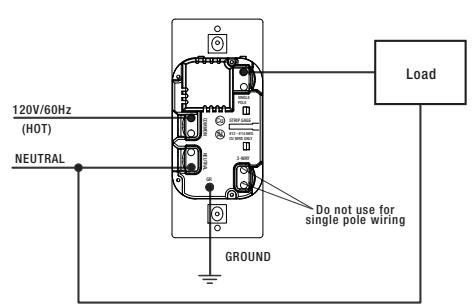


Compatible Lamps

CFL

Manufacturer	Models
Ecosmart	ES5CCDF052 (8TC05), ES5M814DIM2 (40114), ES5M10123 (10123), BPESL11R20/DIM/ESM (2R2014DIM), ES5R315DIM50K (2R3015DIM), ES5R315DIM35K (2R3015DIM), ES5R214DIM50K (2R2014DIM)
Feit	BPESL15T/DM, BPESL23T/DM
Bright Effects	LBP13TC/DM
GE	FLE15HT3/2/DV/SW, FLE26HT3/2/DV/SW, FLE26/2/DV/R40
Philips	EL/A PAR38 DIM 20W, EL/A R30 DIM 16W, EL/A R40 DIM 20W, EL/mdT DIM 15W, EL/mdT DIM 20W
TCP	2R2014DIM, 2R3016DIM, 2R4019DIM, 8A08WH, 8TC05F, 8T03CL, 40114, 40123
Sylvania	CF5EL/DECO/DIM, CF14EL/TWIST/827/DIM, CF14EL/R20/DIM, CF15EL/BR30/DIM, CF19EL/BR40/DIM, CF24EL/TWIST/DIM
Halco	CFL15/27/DIM, CFL15/27/R30/DIM, CFL23/27/DIM, CFL23/27/R40/DIM

Single-pole Wiring

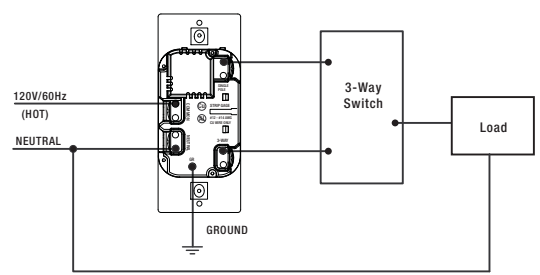


Compatible Ballasts

Fluorescent

Manufacturer	Models
Advance Mark 10®	REZ-132-SC, REZ-2532-SC, REZ-3532-SC, REZ-154, REZ-2554, REZ-1Q18-M2, REZ-2Q18-M2, REZ-1T42-M2, REZ-2Q26-M2, REZ-2T42-M3, REZ-1TTS40, REZ-1TTS40-SC, REZ-2TTS40, REZ-2TTS40-SC, IEZ-2S24-D
Advance Ambistar	REB-2S26-M1-LS-DIM, REB-2S26-M1-BS-DIM
Lutron Tu-Wire®	2W-T426-120-1-S, 2W-T426-120-2-S, 2W-T432-120-1-S, 2W-T432-120-2-S, 2W-T832-120-1-S, 2W-T832-120-2-S
Sylvania/Osram	QTP1x32T8/UNV DIM, QTP2x32T8/UNV DIM, QTP3x32T8/UNV DIM, QTP4x32T8/UNV DIM

3-way/Multi-way Wiring



Ordering Information

Catalog No.	Color	Description	Voltage	Load Rating
<input type="checkbox"/> HDA-703-W	White	Universal Multi-way Dimmer	120VAC, 60Hz	Incandescent, ELV, Halogen: 6-700W CFL/LED: 6-450W MLV: 500VA EFL: 5.5A
<input type="checkbox"/> HDA-703-I	Ivory			
<input type="checkbox"/> HDA-703-A	Almond			
<input type="checkbox"/> HDA-703-LA	Lt. Almond			
<input type="checkbox"/> HDA-703-G	Grey			
<input type="checkbox"/> HDA-703-B	Black			

Order wallplate separately.



Multi-way Paddle Fan Speed Control (HDFC-1A)

Controls ceiling fans for comfort and convenience

Adjust fan speed easily with 3-position slider control

No derating required for multi-gang installations



For single-pole or multi-way applications; no neutral required

On/Off paddle switch

Ideal for both commercial and residential applications

PROJECT
LOCATION/TYPE

Product Overview

Description

The HDFC-1A Multi-way Paddle Fan Speed Control allows users to set and maintain the ideal fan speed in any space via a convenient slider device. It installs into any standard single or multi-gang wallbox and is designed to control a single ceiling paddle fan.

Operation

The HDFC-1A Multi-way Paddle Fan Speed Control installs easily and replaces a standard fan speed control switch (ceiling paddle fans only; not designed for use with fan/light combinations). Once installed, the fan can be easily controlled by the on/off switch and slider. Users press the paddle switch to turn the fan off or on to the preset speed level, determined by the position of the slider. To change the fan speed, users move the slider up or down until it clicks into place for one of three fan speeds: low, medium, or high.

Optional Multi-way Control

The HDFC-1A can be used in either single-pole or multi-way applications. In multi-way applications, a fan speed control is installed in one location and a three-way switch is installed in the other location. If an additional control location is required, a four-way switch is installed in the middle of the circuit. A multi-way installation provides the user with on/off and speed control from the HDFC-1A, and on/off control from the switch(es).

Applications

HDFC-1A Multi-way Paddle Fan Speed Controls are ideal in either commercial or residential spaces. Regardless of location, the speed of every fan can be easily controlled.

Features

- Replaces a standard fan speed switch (solid-state fan speed controls only)
- Provides slide control to easily obtain ideal fan speed from one of three settings
- Includes dehumming circuitry for quiet operation
- No derating needed
- LED for easy location in darkened rooms
- Large paddle switch turns fan on or off
- No current leakage to load when switch is in off position for safety
- Choice of six decorator colors (NEMA White, NEMA Ivory, Almond, Light Almond, Grey and NEMA Black)
- Compatible with decorator wallplates

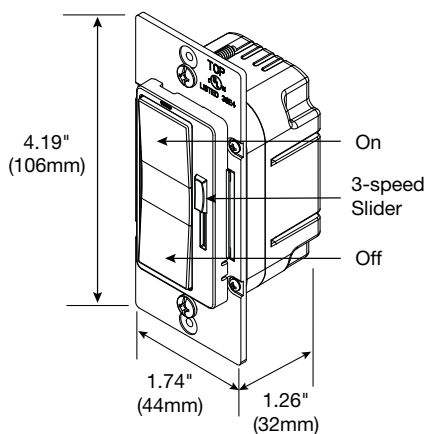


Specifications

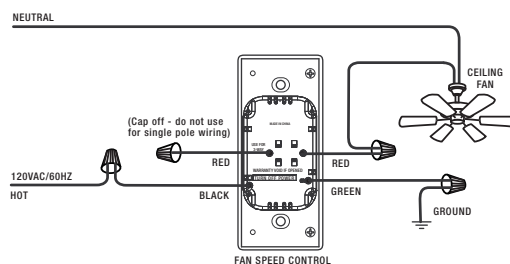
- 120VAC; 60Hz
- No neutral required
- For use with ceiling paddle fans only
- Suitable for use with solid state fans
- Load Rating: 0-1.6A
- No derating required for multi-gang installations
- Use only one fan speed control in a 3-way/multi-way circuit
- For indoor use only
- UL and cUL listed
- Five year warranty

Controls & Wiring

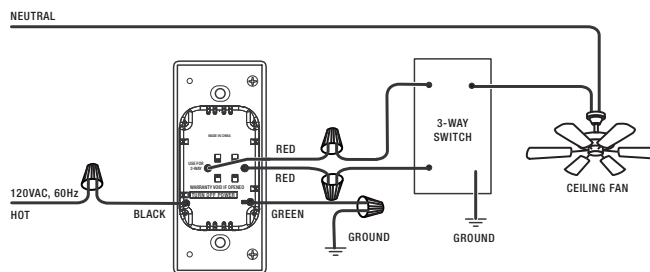
Product Controls



Single-pole Wiring



3-way/Multi-way Wiring



Ordering Information

Catalog No.	Color	Description	Voltage	Load Rating
<input type="checkbox"/> HDFC-1A-W	White	Multi-way Paddle Fan Speed Control	120VAC, 60Hz	0-1.6A
<input type="checkbox"/> HDFC-1A-I	Ivory			
<input type="checkbox"/> HDFC-1A-A	Almond			
<input type="checkbox"/> HDFC-1A-LA	Lt. Almond			
<input type="checkbox"/> HDFC-1A-G	Grey			
<input type="checkbox"/> HDFC-1A-B	Black			

Order wallplate separately.